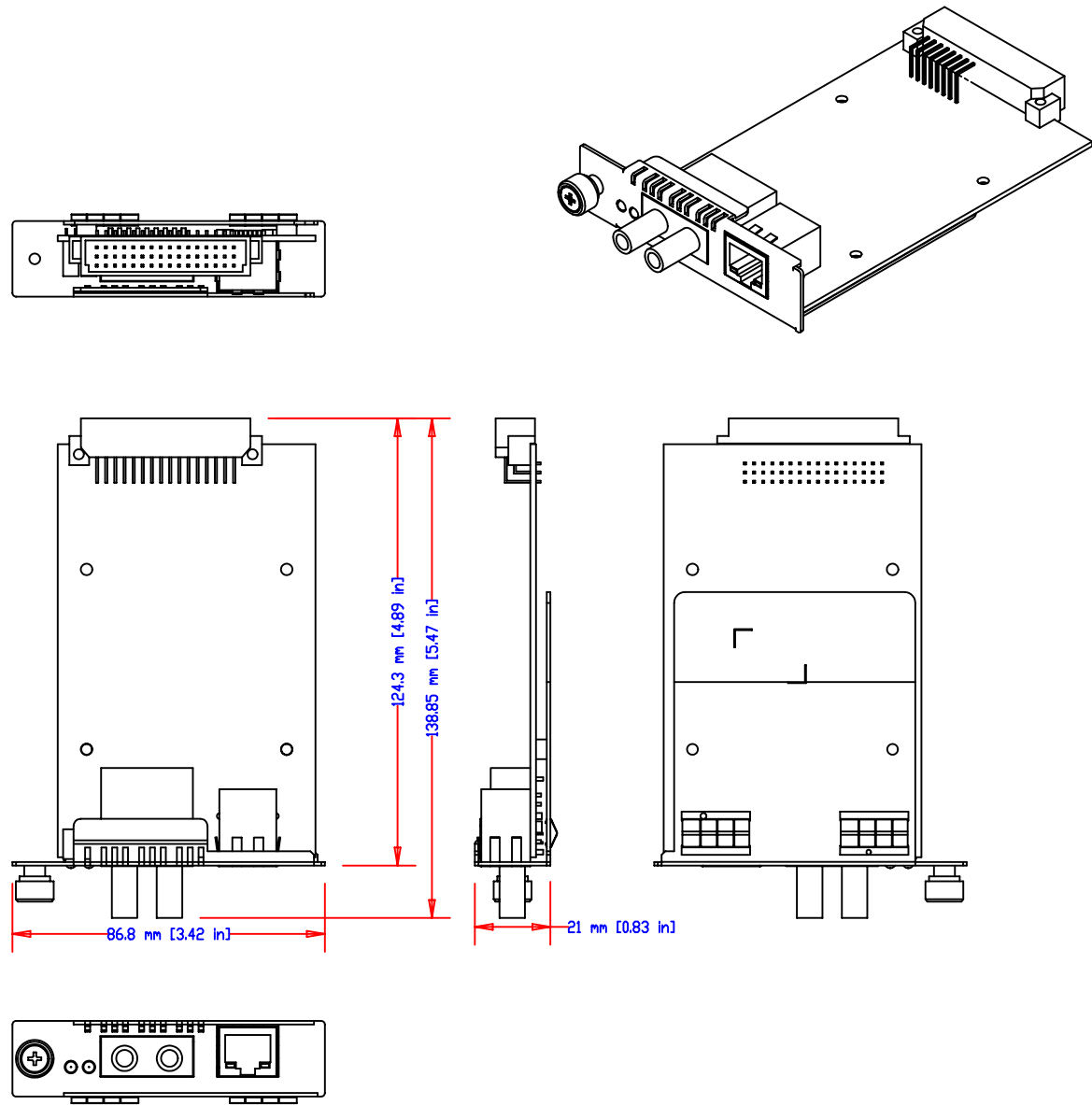


Rev. Mark	Description	Date

A
B
C
D
E
F



Length	Specified Tolerance		
	Class 1	Class 2	Class 3
0.5~<6	±0.05	±0.1	±0.15
6~<30	±0.1	±0.2	±0.25
30~<120	±0.2	±0.3	±0.35
120~<215	±0.3	±0.4	±0.45
215~<315	±0.4	±0.5	±0.55
315~<500	±0.5	±0.6	±0.65
500~	±0.6	±0.7	±0.75

MOXA Tel:+886-2-89191230 Fax:+886-2-89191231 www.moxa.com	Designer	Porjection	Unit	mm	Tolerance	Class 2	Product Model	TCF-142-S-ST-RM		Frame A4	
	Vincent		Scale	1:1	Material	XXX	Drawn Name	Dimension		Ver. 1.0	
		3rd Angle	Date	XXX	File Name	XXX	Product No.	XXX			