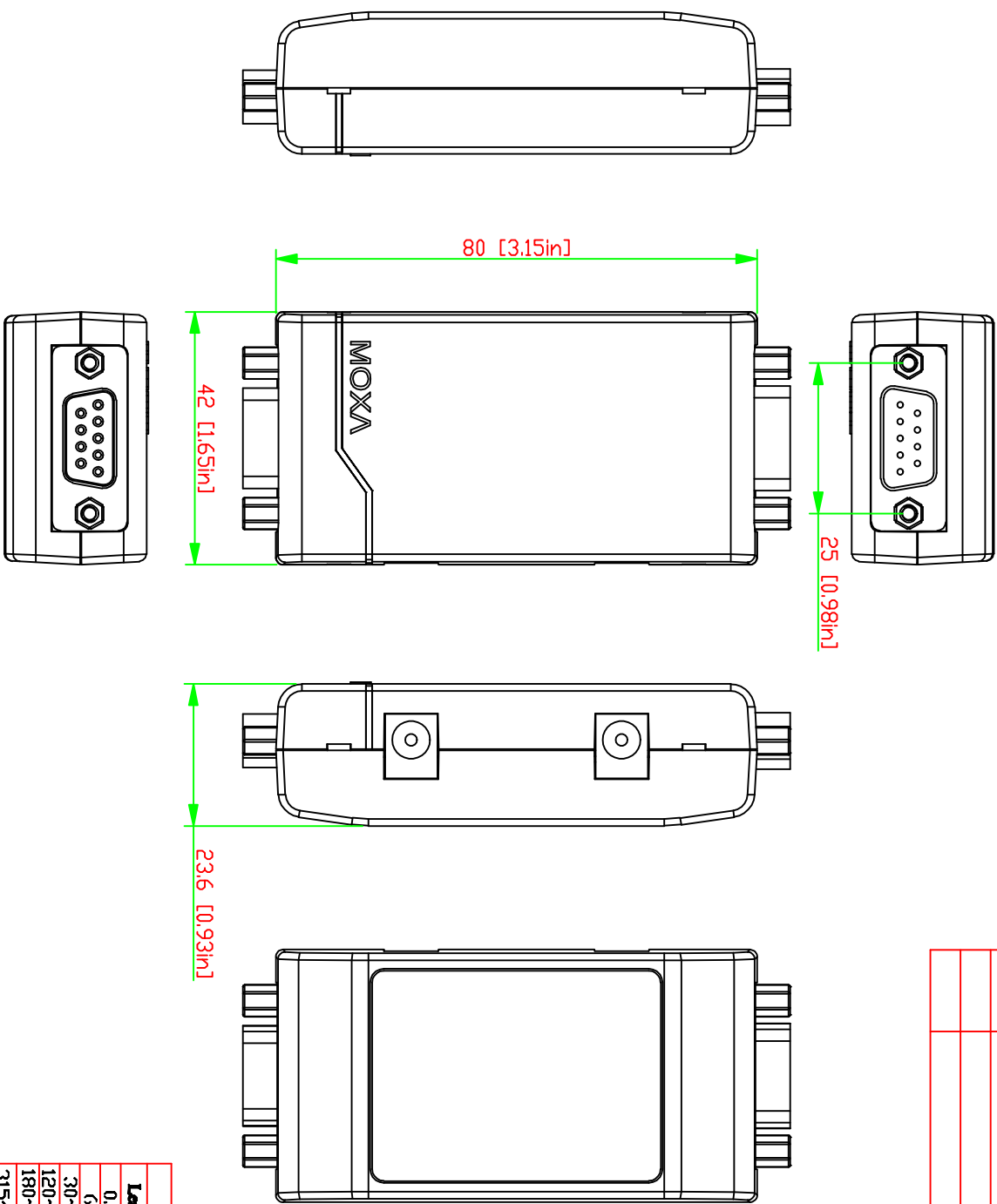


Rev. Mark	Description	Date



Length	Specified Tolerance		
	Class 1	Class 2	Class 3
0.5~<6	±0.05	±0.1	±0.15
6~<30	±0.1	±0.2	±0.25
30~<120	±0.2	±0.3	±0.35
120~<180	±0.3	±0.4	±0.45
180~<315	±0.4	±0.5	±0.55
315~<500	±0.5	±0.6	±0.65
500~	±0.6	±0.7	±0.75

MOXA Tel:+886-2-89191230 Fax:+886-2-89191231 www.moxa.com		Designer SAMLITU	Projection 3rd Angle	Unit mm	Tolerance Material	Class 1	Product Model TCC-82	Frame A4
Scale 1 : X	Date 15-07-06	File Name	Drawing Name DIMENSION_TCC-82	Product No.	Ver. 1.0			