

# PT-7710 Series

## IEC 61850-3 8+2G-port Layer 2 Gigabit modular managed rackmount Ethernet switches



### Features and Benefits

- IEC 61850-3, IEEE 1613 (power substations), and EN50121-4 (railway applications) compliant
- Complies with a portion of EN 50155 specifications
- VLAN Unaware: Supports priority-tagged frames to be received by specific IEDs
- Up to 4 ports with M12 connectors
- Turbo Ring and Turbo Chain (recovery time < 20 ms @ 250 switches),<sup>1</sup> RSTP/STP, and MSTP for network redundancy
- Universal power supply range, 12/24/48 VDC or 110/220 VDC/VAC
- -40 to 85°C operating temperature range

### Certifications



## Introduction

The PT-7710 is designed to meet the demands of power substation automation systems (IEC 61850-3, IEEE 1613), and railway applications (EN 50121-4). The PT-7710's Gigabit and Fast Ethernet backbone, redundant ring, and 12/24/48 VDC redundant power inputs increase the reliability of the communications and reduce cabling and wiring costs. The modular design of the PT-7710 makes network planning easy, and allows greater flexibility by letting you install up to 2 Gigabit ports and 8 Fast Ethernet ports, or 10 Fast Ethernet ports.

### Additional Features and Benefits

- Command line interface (CLI) for quickly configuring major managed functions
- VLAN Unaware: Supports priority-tagged frames to be received by specific IEDs
- DHCP Option 82 for IP address assignment with different policies
- EtherNet/IP and Modbus TCP industrial Ethernet protocols supported
- Automatic recovery of connected device's IP addresses
- Line-swap fast recovery
- IGMP snooping and GMRP for filtering multicast traffic from industrial Ethernet protocols
- IEEE 802.3ad, LACP for optimum bandwidth utilization
- Bandwidth management to prevent unpredictable network status
- Multi-port mirroring for online debugging
- Automatic warning by exception through email and relay output
- RMON for proactive and efficient network monitoring
- Configurable by Web browser, Telnet/Serial console, CLI, Windows utility, and ABC-01 automatic backup configurator
- Turbo Ring and Turbo Chain (recovery time < 20 ms @ 250 switches),<sup>1</sup> RSTP/STP, and MSTP for network redundancy

### Cybersecurity Features

- User passwords with multiple levels of security protect against unauthorized configuration
- SSH/HTTPS is used to encrypt passwords and data
- Lock switch ports with 802.1X port-based network access control so that only authorized clients can access the port
- RADIUS/TACACS+ allows you to manage passwords from a central location
- 802.1Q VLAN allows you to logically partition traffic transmitted between selected switch ports
- Secure switch ports so that only specific devices and/or MAC addresses can access the ports
- Disable one or more ports to block network traffic
- SNMPv3 provides encrypted authentication and access security

1. Gigabit Ethernet recovery time < 50 ms

## Specifications

### Ethernet Interface

Cabling Direction	PT-7710-F Series: Front cabling PT-7710-D Series: Down cabling
Compatible Modules	Slot 1: PM-7200-8TX, PM-7200-2MSC4TX, PM-7200-2MST4TX, PM-7200-2SSC4TX, PM-7200-4MSC2TX, PM-7200-4MST2TX, PM-7200-4SSC2TX, PM-7200-6MSC, PM-7200-6MST, PM-7200-6SSC, PM-7200-8SFP, PM-7200-4M12, PM-7200-8MTRJ  Slot 2: PM-7200-2GTXSFP, PM-7200-1MSC, PM-7200-1MST, PM-7200-2MSC, PM-7200-2MST, PM-7200-2SSC
Standards	IEEE 802.1D-2004 for Spanning Tree Protocol IEEE 802.1p for Class of Service IEEE 802.1Q for VLAN Tagging IEEE 802.1s for Multiple Spanning Tree Protocol IEEE 802.1w for Rapid Spanning Tree Protocol IEEE 802.1X for authentication IEEE 802.3 for 10BaseT IEEE 802.3ab for 1000BaseT(X) IEEE 802.3ad for Port Trunk with LACP IEEE 802.3u for 100BaseT(X) and 100BaseFX IEEE 802.3x for flow control IEEE 802.3z for 1000BaseSX/LX/LHX/ZX

### Ethernet Software Features

Filter	802.1Q, GMRP, GVRP, IGMP v1/v2c, Port-based VLAN, VLAN unaware
Industrial Protocols	EtherNet/IP, Modbus TCP
Management	Back Pressure Flow Control, BOOTP, DHCP Option 66/67/82, DHCP Server/Client, Flow control, HTTP, IPv4/IPv6, LLDP, Port Mirror, RARP, RMON, SMTP, SNMP Inform, SNMPv1/v2c/v3, Syslog, Telnet, TFTP
MIB	Bridge MIB, Ethernet-like MIB, MIB-II, P-BRIDGE MIB, Q-BRIDGE MIB, RMON MIB Groups 1, 2, 3, 9, RSTP MIB
Power Substation	IEC 61850 QoS
Redundancy Protocols	Link Aggregation, MSTP, RSTP, STP, Turbo Chain, Turbo Ring v1/v2
Security	Broadcast storm protection, HTTPS/SSL, TACACS+, Port Lock, RADIUS, Rate Limit, SSH
Time Management	NTP Server/Client, SNTP

### Switch Properties

IGMP Groups	256
Max. No. of VLANs	64
VLAN ID Range	VID 1 to 4094
Priority Queues	4

### Serial Interface

Console Port	RS-232 (RJ45)
--------------	---------------

### Input/Output Interface

Alarm Contact Channels	Resistive load: 3 A @ 30 VDC, 240 VAC
------------------------	---------------------------------------

### Power Parameters

Connection	10-pin terminal block
Input Voltage	PT-7710-LV Series: 12/24/48 VDC (9 to 60 VDC)

	PT-7710-HV Series: 110/220 VAC/VDC (88 to 300 VAC, 85 to 264 VDC)
Overload Current Protection	Supported
Reverse Polarity Protection	Supported
Input Current	PT-7710-LV Series: 0.75 A @ 0.24 VDC, 0.39 A @ 48 VDC PT-7710-HV Series: 0.19/0.11 A @ 110/220 VAC, 0.16/0.10 A @ 110/220 VDC
<b>Physical Characteristics</b>	
Housing	Aluminum
IP Rating	IP30
Dimensions (without ears)	266.5 x 44 x 195 mm (10.5 x 1.7 x 7.7 in)
Weight	2200 g (4.89 lb)
Installation	PT-7710-F Series: 19-inch rack mounting, PT-7710-D Series: Wall mounting
<b>Environmental Limits</b>	
Operating Temperature	-40 to 85°C (-40 to 185°F) Note: Cold start requires minimum of 100 VAC @ -40°C
Storage Temperature (package included)	-40 to 85°C (-40 to 185°F)
Ambient Relative Humidity	5 to 95% (non-condensing)
<b>Standards and Certifications</b>	
Safety	EN 60950-1, UL 60950-1, CSA C22.2 No. 60950-1
EMI	EN 55032 Class A, CISPR 32, FCC Part 15B Class A
EMS	IEC 61000-4-2 ESD: Contact: 8 kV; Air: 15 kV IEC 61000-4-3 RS: 80 MHz to 1 GHz: 35 V/m IEC 61000-4-4 EFT: Power: 4 kV; Signal: 4 kV PT-7710-HV Series: IEC 61000-4-5 Surge: Power: 4 kV; Signal: 4 kV PT-7710-LV Series: IEC 61000-4-5 Surge: Power: 2 kV; Signal: 4 kV IEC 61000-4-6 CS: 10 V IEC 61000-4-8 PFMF IEC 61000-4-11 DIPs
Power Substation	IEC 61850-3, IEEE 1613
Railway	EN 50121-4, EN 50155 (complies with a portion of EN 50155 specifications)
Traffic Control	NEMA TS2
<b>MTBF</b>	
Time	316,716 hrs
Standards	Telcordia SR332
<b>Warranty</b>	
Warranty Period	5 years
Details	See <a href="http://www.moxa.com/warranty">www.moxa.com/warranty</a>
<b>Package Contents</b>	
Device	1 x PT-7710 Series switch
Cable	1 x DB9 female to RJ45 10-pin
Installation Kit	4 x cap, plastic, for RJ45 port

	2 x rack-mounting ear
Documentation	1 x document and software CD 1 x quick installation guide 1 x warranty card 1 x product certificates of quality inspection, Simplified Chinese 1 x product notice, Simplified Chinese
Note	SFP modules and/or modules from the PM-7200 Module Series need to be purchased separately for use with this product.

## Dimensions

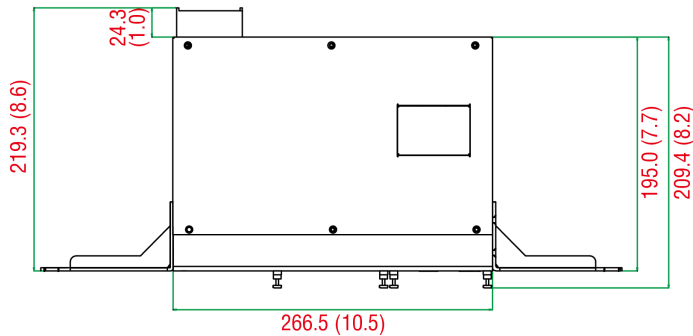
### Rack Mounting

### Wall Mounting

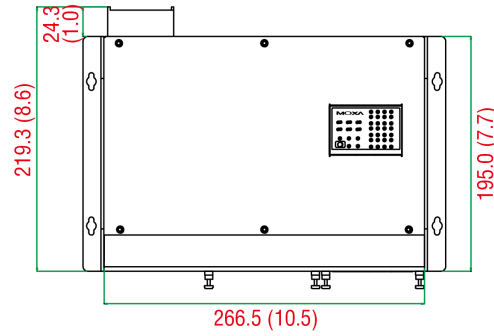
Unit: mm (inch)



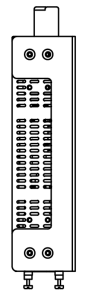
Rear View



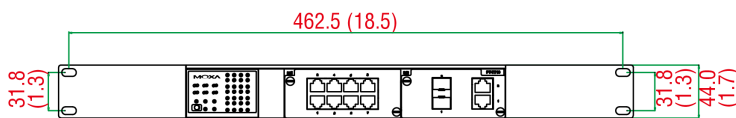
Top View



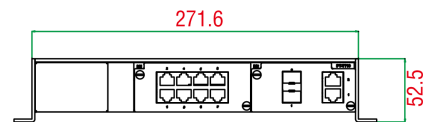
Top View



Side View



Front View



Front View

## Ordering Information

Model Name	Max. No. of Ports	Max. No. of Gigabit Ports	Max. No. of Fast Ethernet Ports	Cabling	Input Voltage	Operating Temp.
PT-7710-F-HV	10	2	8	Front	110/220 VDC/VAC	-45 to 85°C
PT-7710-F-LV	10	2	8	Front	12/24/48 VDC	-45 to 85°C
PT-7710-D-HV	10	2	8	Down	110/220 VDC/VAC	-45 to 85°C
PT-7710-D-LV	10	2	8	Down	12/24/48 VDC	-45 to 85°C

## Accessories (sold separately)

### PM-7200 Module Series

PM-7200-1MSC	Fast Ethernet module with 1 100BaseFX multi-mode port with SC connector
PM-7200-1MST	Fast Ethernet module with 1 100BaseFX multi-mode port with ST connector
PM-7200-2GTXSFP	Gigabit Ethernet module with 2 10/100/1000BaseT(X) or 1000BaseSFP slot combo ports
PM-7200-2MSC	Fast Ethernet module with 2 100BaseFX multi-mode ports with SC connectors

PM-7200-2MSC4TX	Fast Ethernet module with 2 100BaseFX multi-mode ports with SC connectors and 4 10/100BaseT(X) ports
PM-7200-2MST	Fast Ethernet module with 2 100BaseFX multi-mode ports with ST connectors
PM-7200-2MST4TX	Fast Ethernet module with 2 100BaseFX multi-mode ports with ST connectors and 4 10/100BaseT(X) ports
PM-7200-2SSC	Fast Ethernet module with 2 100BaseFX single-mode ports with SC connectors
PM-7200-2SSC4TX	Fast Ethernet module with 2 100BaseFX single-mode ports with SC connectors and 4 10/100BaseT(X) ports
PM-7200-4M12	Fast Ethernet module with 4 10/100BaseT(X) ports with M12 connectors
PM-7200-4MSC2TX	Fast Ethernet module with 4 100BaseFX multi-mode ports with SC connectors and 2 10/100BaseT(X) ports
PM-7200-4MST2TX	Fast Ethernet module with 4 100BaseFX multi-mode ports with ST connectors and 2 10/100BaseT(X) ports
PM-7200-4SSC2TX	Fast Ethernet module with 4 100BaseFX single-mode ports with SC connectors and 2 10/100BaseT(X) ports
PM-7200-6MSC	Fast Ethernet module with 6 100BaseFX multi-mode ports with SC connectors
PM-7200-6MST	Fast Ethernet module with 6 100BaseFX multi-mode ports with ST connectors
PM-7200-6SSC	Fast Ethernet module with 6 100BaseFX single-mode ports with SC connectors
PM-7200-8SFP	Fast Ethernet module with 8 100BaseSFP slots
PM-7200-8TX	Fast Ethernet module with 8 10/100BaseT(X) ports
PM-7200-8MTRJ	Fast Ethernet module with 8 100BaseFX multi-mode ports with MTRJ connectors

#### Storage Kits

ABC-01	Configuration backup and restoration tool for managed Ethernet switches and AWK Series wireless APs/bridges/clients, 0 to 60°C operating temperature
--------	--

#### SFP Modules

SFP-1FELLC-T	SFP module with 1 100Base single-mode with LC connector for 80 km transmission, -40 to 85°C operating temperature
SFP-1FEMLC-T	SFP module with 1 100Base multi-mode with LC connector for 4 km transmission, -40 to 85°C operating temperature
SFP-1FESLC-T	SFP module with 1 100Base single-mode with LC connector for 40 km transmission, -40 to 85°C operating temperature
SFP-1G10ALC	WDM-type (BiDi) SFP module with 1 1000BaseSFP port with LC connector for 10 km transmission; TX 1310 nm, RX 1550 nm, 0 to 60°C operating temperature
SFP-1G10ALC-T	WDM-type (BiDi) SFP module with 1 1000BaseSFP port with LC connector for 10 km transmission; TX 1310 nm, RX 1550 nm, -40 to 85°C operating temperature
SFP-1G10BLC	WDM-type (BiDi) SFP module with 1 1000BaseSFP port with LC connector for 10 km transmission; TX 1550 nm, RX 1310 nm, 0 to 60°C operating temperature
SFP-1G10BLC-T	WDM-type (BiDi) SFP module with 1 1000BaseSFP port with LC connector for 10 km transmission; TX 1550 nm, RX 1310 nm, -40 to 85°C operating temperature
SFP-1G20ALC	WDM-type (BiDi) SFP module with 1 1000BaseSFP port with LC connector for 20 km transmission; TX 1310 nm, RX 1550 nm, 0 to 60°C operating temperature
SFP-1G20ALC-T	WDM-type (BiDi) SFP module with 1 1000BaseSFP port with LC connector for 20 km transmission; TX 1310 nm, RX 1550 nm, -40 to 85°C operating temperature
SFP-1G20BLC	WDM-type (BiDi) SFP module with 1 1000BaseSFP port with LC connector for 20 km transmission; TX 1550 nm, RX 1310 nm, 0 to 60°C operating temperature
SFP-1G20BLC-T	WDM-type (BiDi) SFP module with 1 1000BaseSFP port with LC connector for 20 km transmission; TX 1550 nm, RX 1310 nm, -40 to 85°C operating temperature
SFP-1G40ALC	WDM-type (BiDi) SFP module with 1 1000BaseSFP port with LC connector for 40 km transmission; TX 1310 nm, RX 1550 nm, 0 to 60°C operating temperature
SFP-1G40ALC-T	WDM-type (BiDi) SFP module with 1 1000BaseSFP port with LC connector for 40 km transmission; TX 1310 nm, RX 1550 nm, -40 to 85°C operating temperature

SFP-1G40BLC	WDM-type (BiDi) SFP module with 1 1000BaseSFP port with LC connector for 40 km transmission; TX 1550 nm, RX 1310 nm, 0 to 60°C operating temperature
SFP-1G40BLC-T	WDM-type (BiDi) SFP module with 1 1000BaseSFP port with LC connector for 40 km transmission; TX 1550 nm, RX 1310 nm, -40 to 85°C operating temperature
SFP-1GEZXLC	SFP module with 1 1000BaseEZXC port with LC connector for 110 km transmission, 0 to 60°C operating temperature
SFP-1GEZXLC-120	SFP module with 1 1000BaseEZXC port with LC connector for 120 km transmission, 0 to 60°C operating temperature
SFP-1GLHLC	SFP module with 1 1000BaseLH port with LC connector for 30 km transmission, 0 to 60°C operating temperature
SFP-1GLHLC-T	SFP module with 1 1000BaseLH port with LC connector for 30 km transmission, -40 to 85°C operating temperature
SFP-1GLHXLC	SFP module with 1 1000BaseLHX port with LC connector for 40 km transmission, 0 to 60°C operating temperature
SFP-1GLHXLC-T	SFP module with 1 1000BaseLHX port with LC connector for 40 km transmission, -40 to 85°C operating temperature
SFP-1GLSXLC	SFP module with 1 1000BaseLSX port with LC connector for 500 m transmission, 0 to 60°C operating temperature
SFP-1GLSXLC-T	SFP module with 1 1000BaseLSX port with LC connector for 500 m transmission, -40 to 85°C operating temperature
SFP-1GLXLC	SFP module with 1 1000BaseLX port with LC connector for 10 km transmission, 0 to 60°C operating temperature
SFP-1GLXLC-T	SFP module with 1 1000BaseLX port with LC connector for 10 km transmission, -40 to 85°C operating temperature
SFP-1GSXLC	SFP module with 1 1000BaseSX port with LC connector for 300/550 m transmission, 0 to 60°C operating temperature
SFP-1GSXLC-T	SFP module with 1 1000BaseSX port with LC connector for 300/550 m transmission, -40 to 85°C operating temperature
SFP-1GZXLC	SFP module with 1 1000BaseZX port with LC connector for 80 km transmission, 0 to 60°C operating temperature
SFP-1GZXLC-T	SFP module with 1 1000BaseZX port with LC connector for 80 km transmission, -40 to 85°C operating temperature

## Software

MXview-50	Industrial network management software with a license for 50 nodes (by IP address)
MXview-100	Industrial network management software with a license for 100 nodes (by IP address)
MXview-250	Industrial network management software with a license for 250 nodes (by IP address)
MXview-500	Industrial network management software with a license for 500 nodes (by IP address)
MXview-1000	Industrial network management software with a license for 1000 nodes (by IP address)
MXview-2000	Industrial network management software with a license for 2000 nodes (by IP address)
MXview Upgrade-50	License expansion of MXview industrial network management software by 50 nodes (by IP address)

© Moxa Inc. All rights reserved. Updated Jun 05, 2020.

This document and any portion thereof may not be reproduced or used in any manner whatsoever without the express written permission of Moxa Inc. Product specifications subject to change without notice. Visit our website for the most up-to-date product information.