

Rev. Mark	Description	Date

A

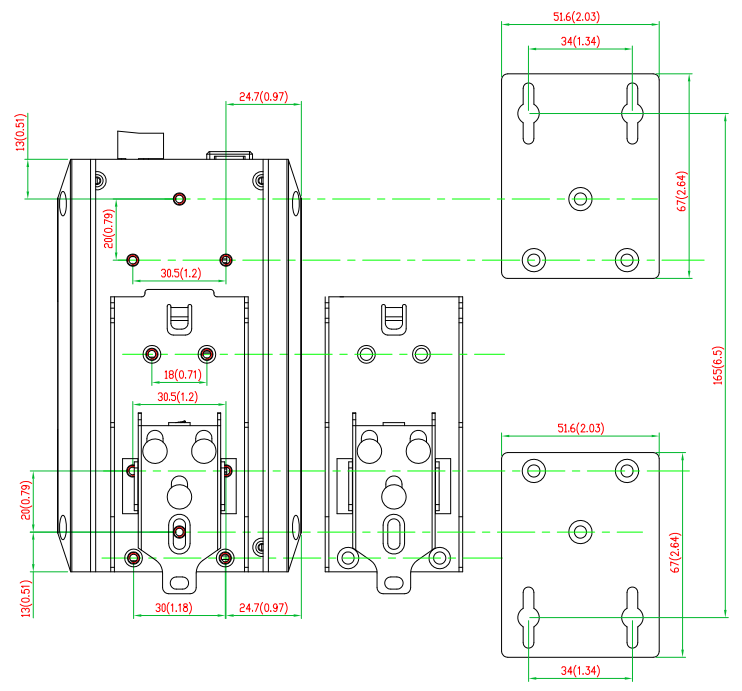
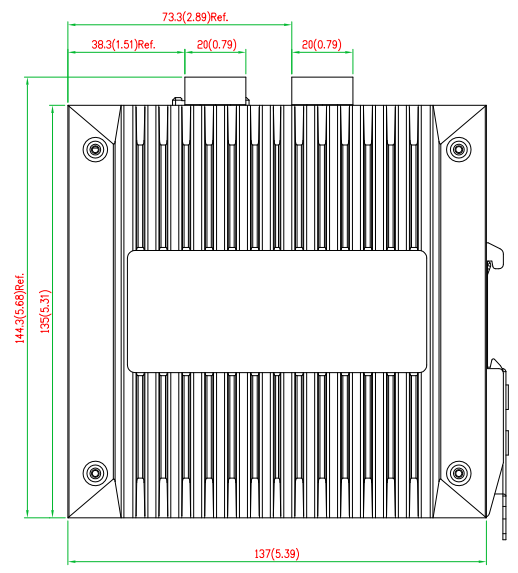
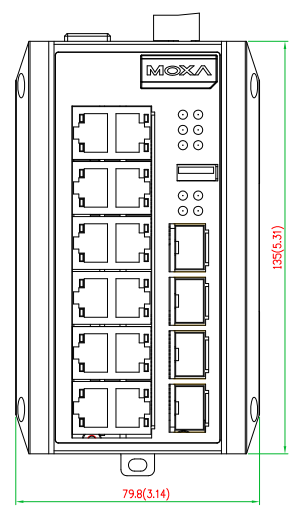
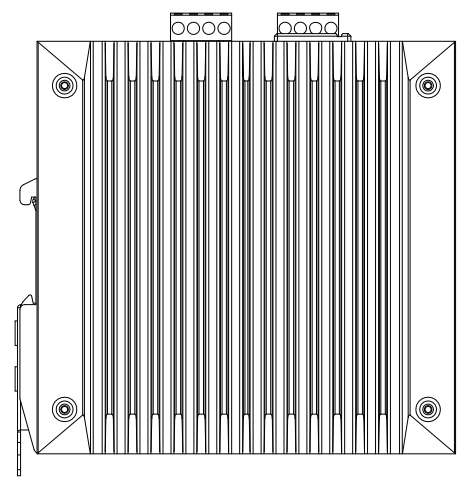
B

C

D

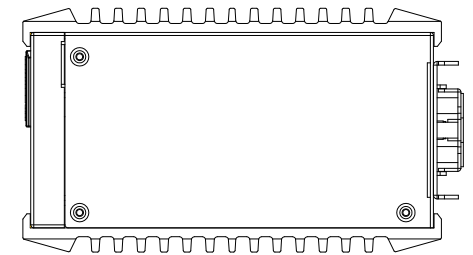
E

F



EDS-G516E

DIN Rail/Panel Mount Kit



Specified Tolerance			
Length	Class	1Class	2Class 3
0.5~<6	±0.05	±0.1	±0.15
6~<30	±0.1	±0.2	±0.25
30~<120	±0.2	±0.3	±0.35
120~<180	±0.3	±0.4	±0.45
180~<315	±0.4	±0.5	±0.55
315~<500	±0.5	±0.6	±0.65
500~	±0.6	±0.7	±0.75

MOXA
 Tel: +886-2-89191230
 Fax: +886-2-89191231
 www.moxa.com

Designer	Projection	Unit	mm/in	Tolerance	Class 2	Product Model	EDS-G516E		Frame	A4
xxxxxx		Scale	1:1	Material	XXXXX	Drawing Name	Dimension_EDS-G516E_TOP		Ver.	1.0
	3rd Angle	Date	XXXXX	File Name	XXXXX	Product No.	XXXXX			