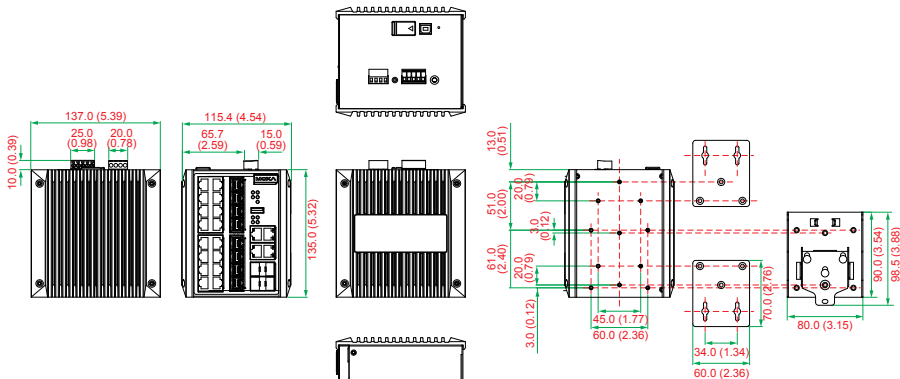


Rev. Mark	Description	Date



Specified Tolerance				
Length	Class 1	Class 2	Class 3	Class 4
0.5~5	±0.03	±0.1	±0.15	±0.2
5~30	±0.1	±0.2	±0.3	±0.4
30~120	±0.2	±0.3	±0.4	±0.5
120~315	±0.3	±0.5	±0.6	±0.8
315~1000	±0.5	±0.7	±0.9	±1.2

**MOXA**

Tel:+886-2-89191230  
 Fax:+886-2-89191231  
 www.moxa.com

Designer	Projection	Unit	mm	Tolerance	Class 1	Product Model	XXXX-XX-XX	Frame	A1
		Scale	1 : X	Material		Drawn Name	EDS-528E-4GTXSFP-HV		
	3rd Angle	Date	16-08-30	File Name	EDS-528E-4GTXSFP-HV	Product No.	000000000000	Ver.	1.0