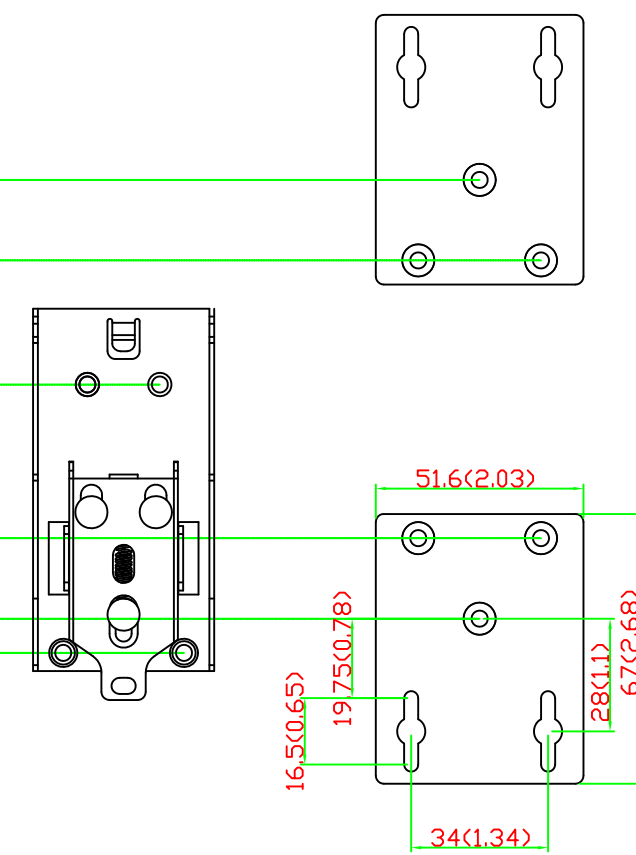
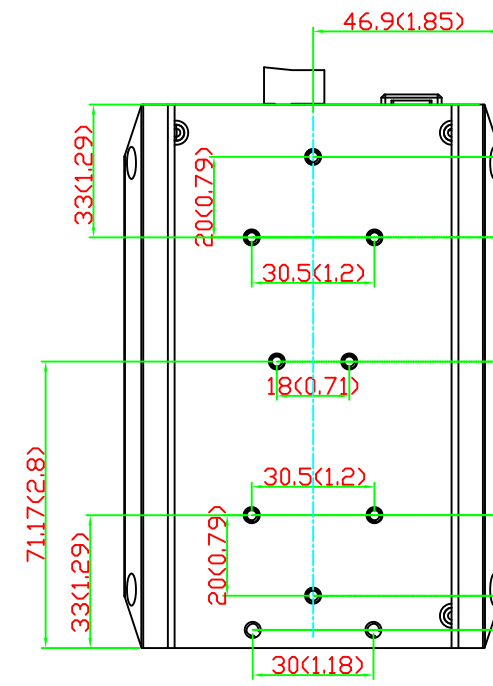
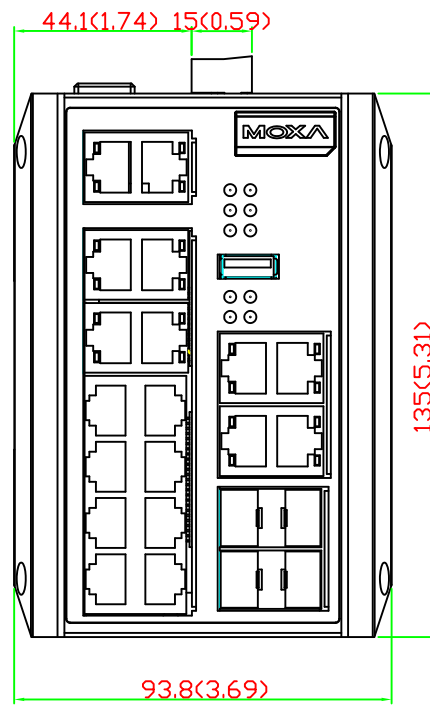
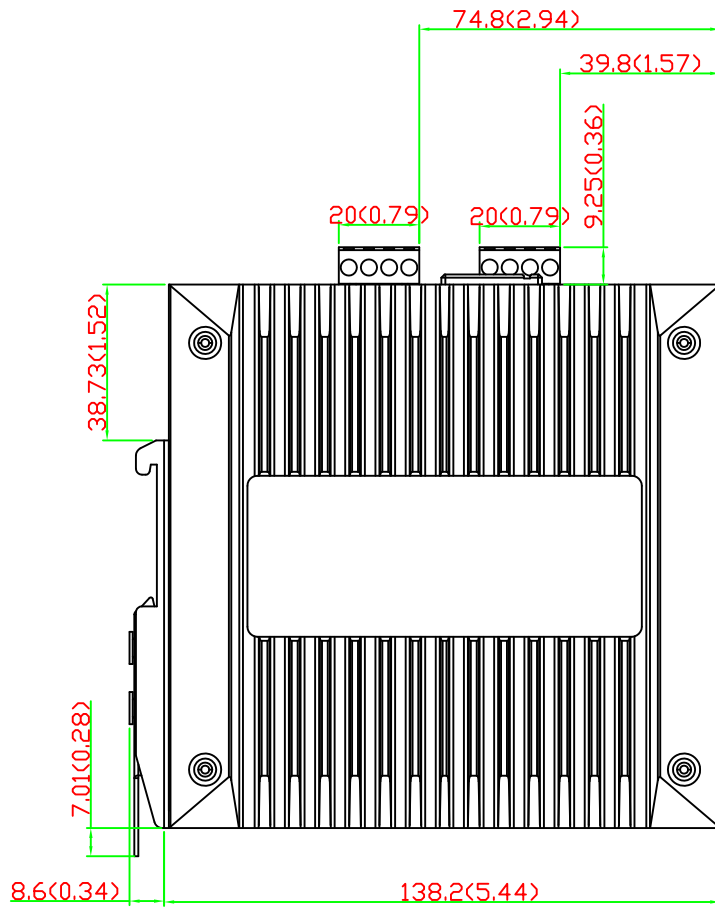


1 2 3 4 5 6 7 8

Rev. Mark	Description	Date

A
B
C
D
E
F



Specified Tolerance			
Length	Class 1	Class 2	Class 3
0.5~<6	±0.05	±0.1	±0.15
6~<30	±0.1	±0.2	±0.25
30~<120	±0.2	±0.3	±0.35
120~<180	±0.3	±0.4	±0.45
180~<315	±0.4	±0.5	±0.55
315~<500	±0.5	±0.6	±0.65
500~	±0.6	±0.7	±0.75

<p>Tel:+886-2-89191230 Fax:+886-2-89191231 www.moxa.com</p>	Designer	Projection	Unit	mm	Tolerance	Class 2	Product Model	EDS_518E_Series		Frame	A4
			Scale	1:1	Material		Drawing Name	Dimensions_EDS_518E_4GTXSFP			
		3rd Angle	Date		File Name		Product No.			Ver.	1.0