

Rev. Mark	Description	Date

A

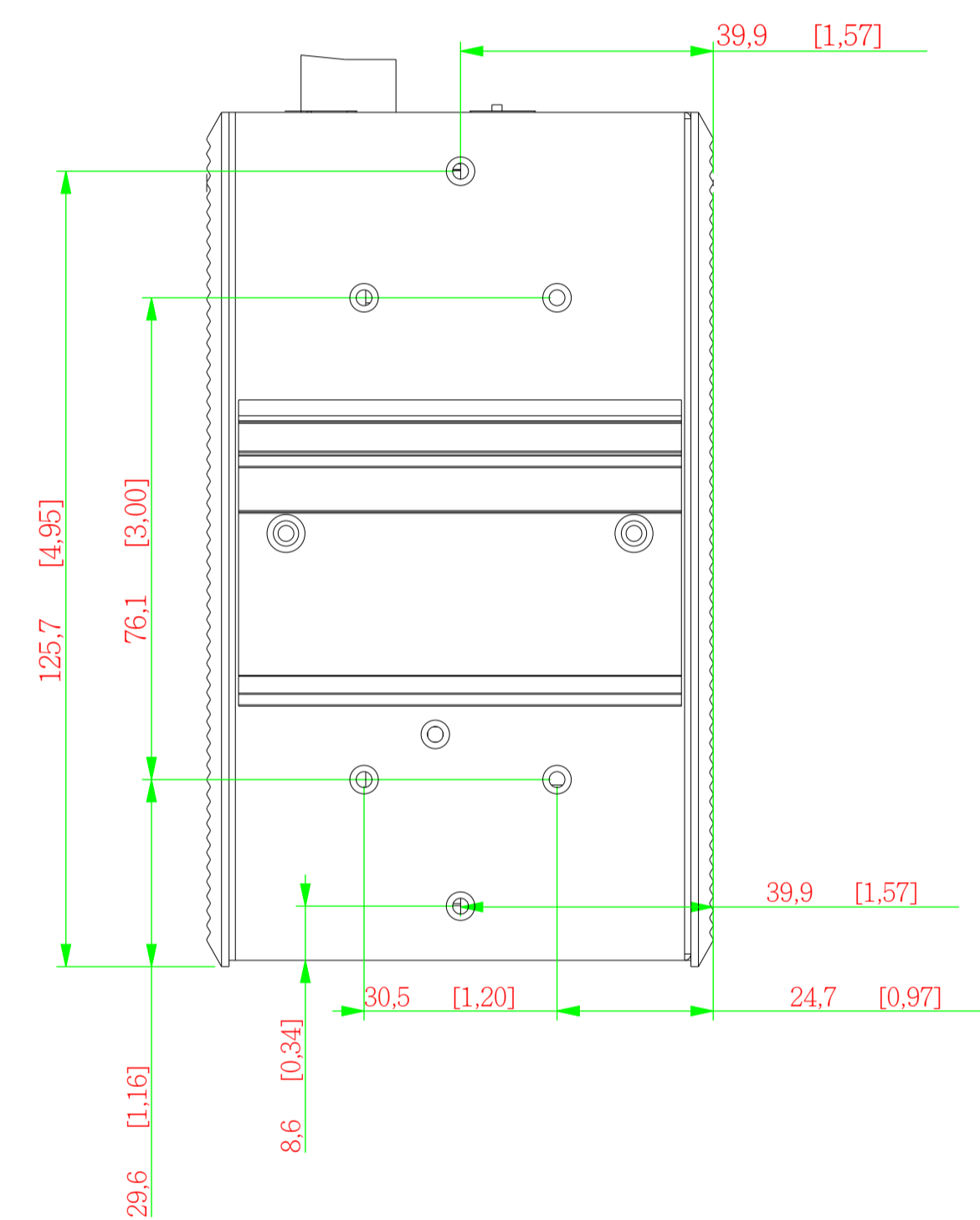
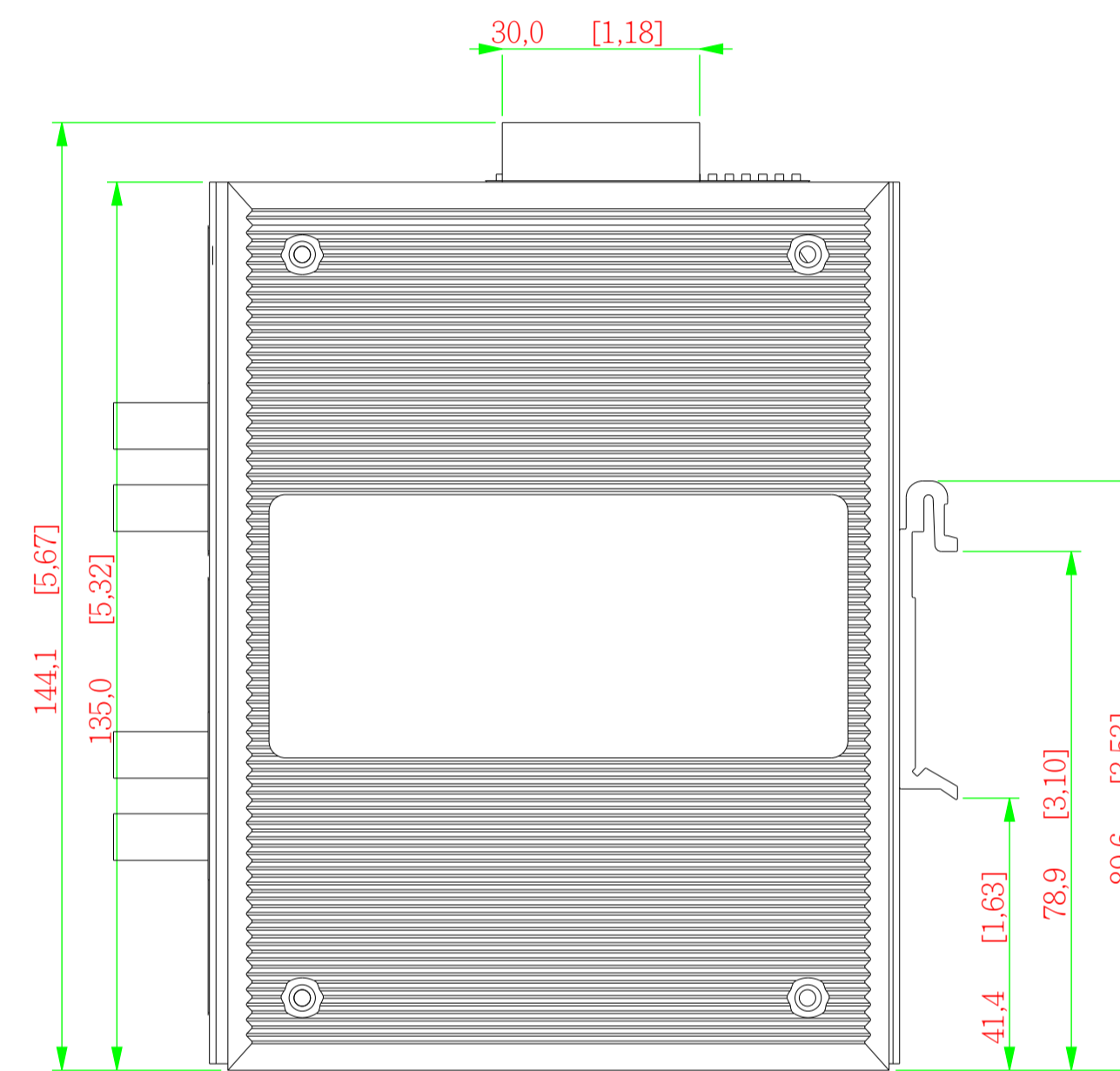
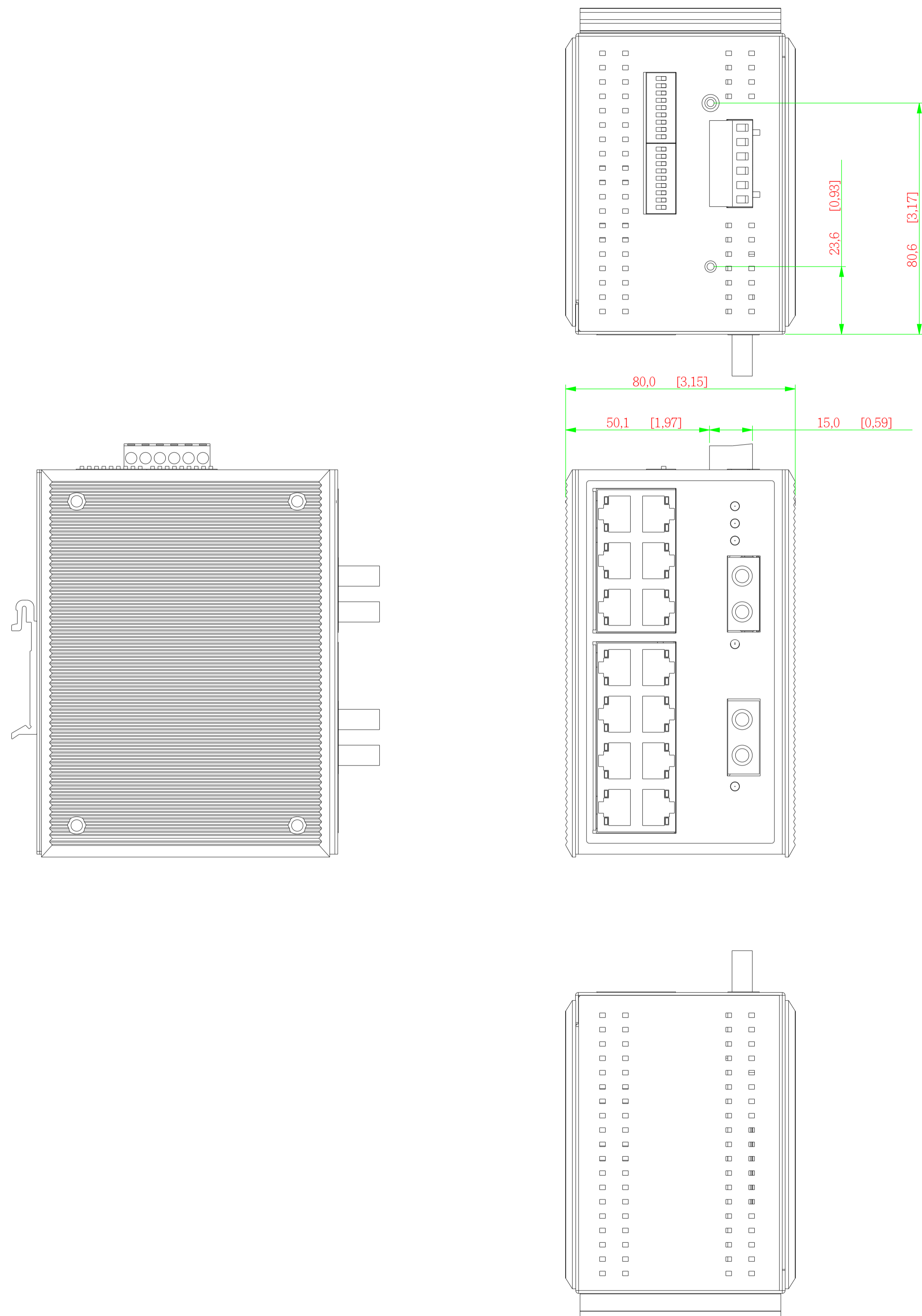
B

C

D

E

F

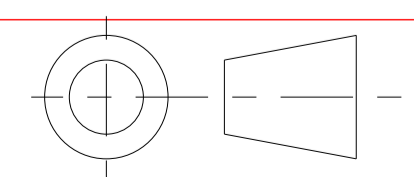


**MOXA®**

Tel:+886-2-89191230  
 Fax:+886-2-89191231  
 www.moxa.com

Designer

Porjection



3rd Angle

Unit

mm

Tolerance

Class 1

Product Model

Frame A1

Scale

Material

Drawn Name

EDS-316

Date

File Name

EDS-316

Product No.

Ver.

1.0