

Rev. Mark	Description	Date

A

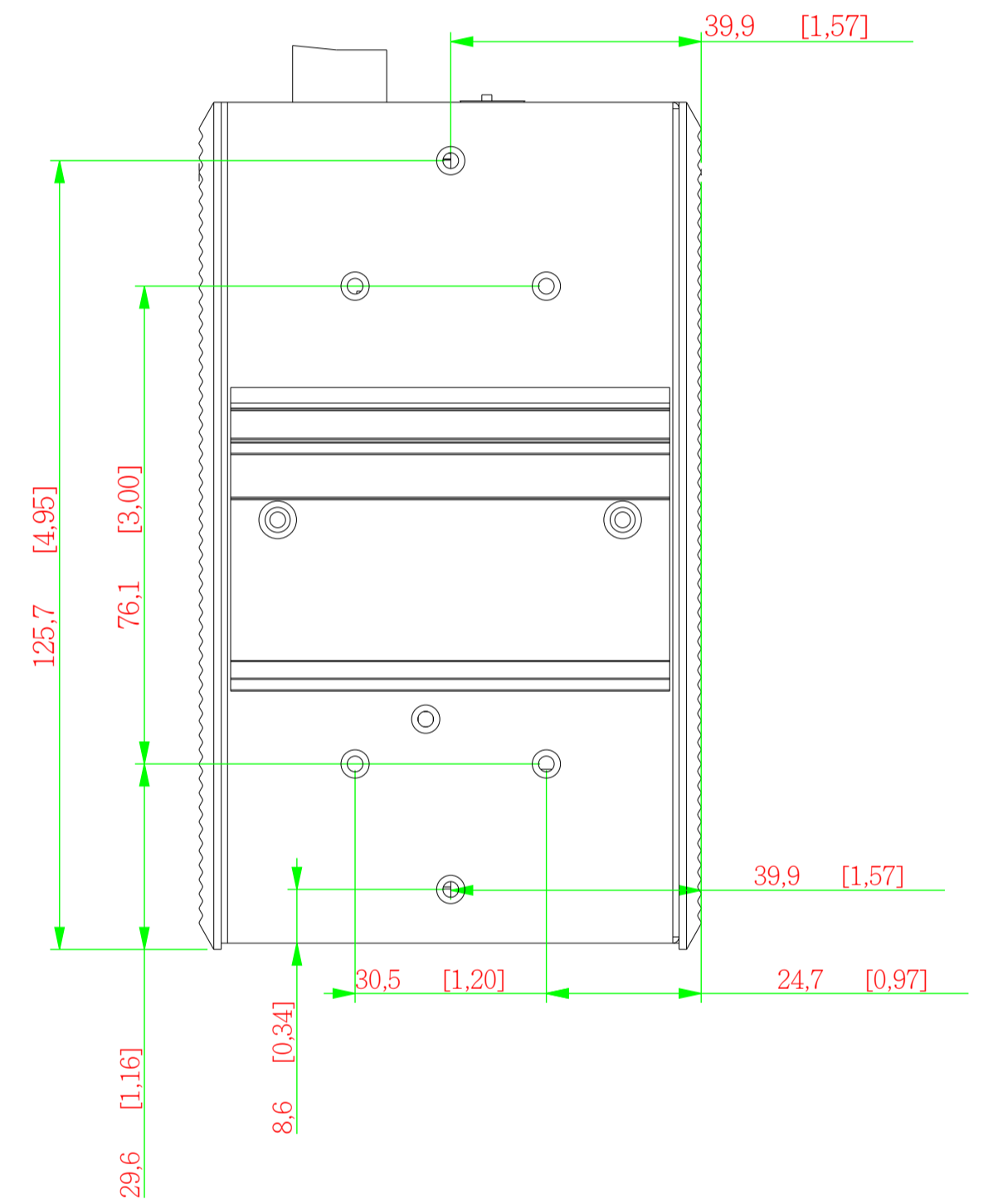
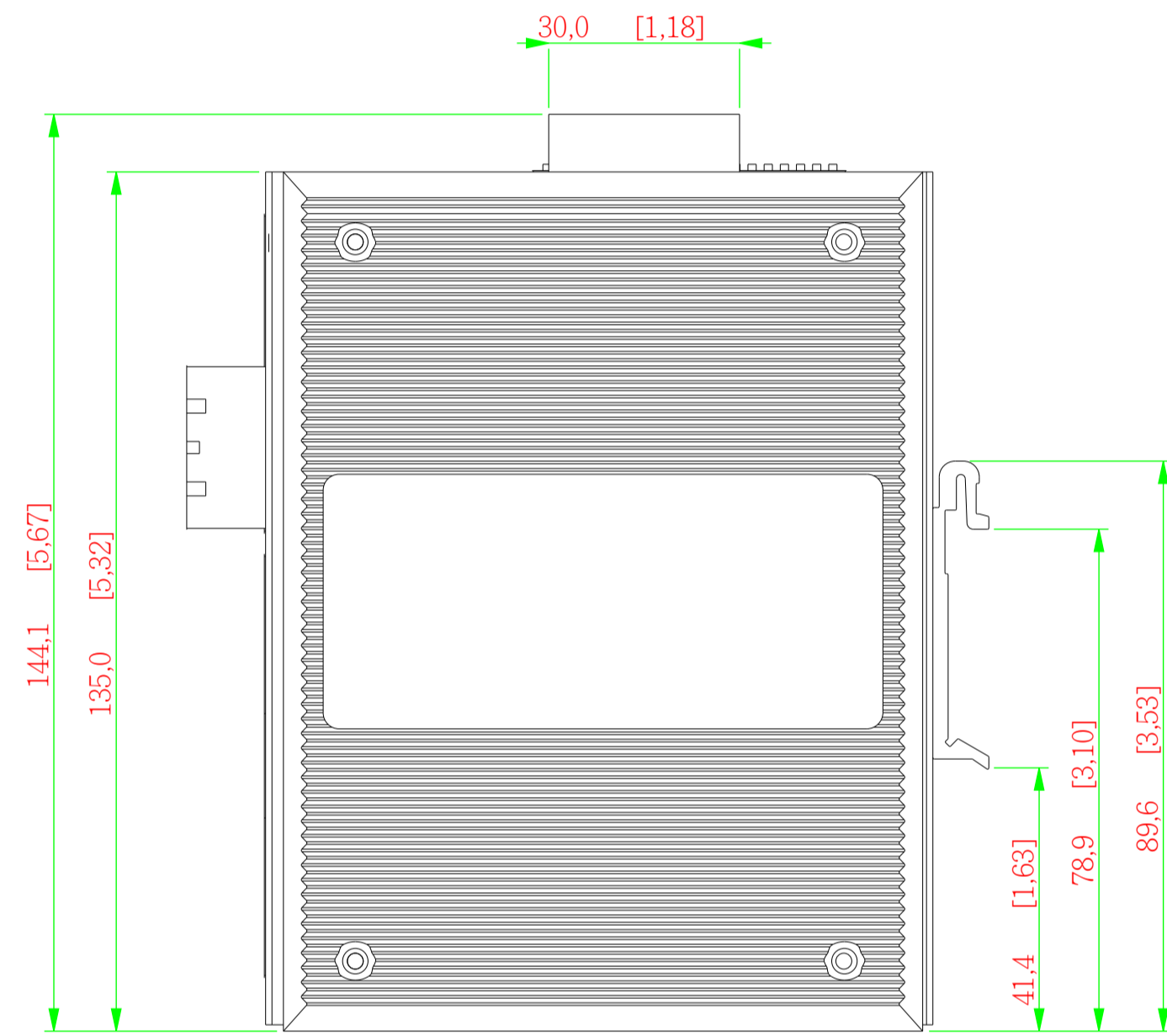
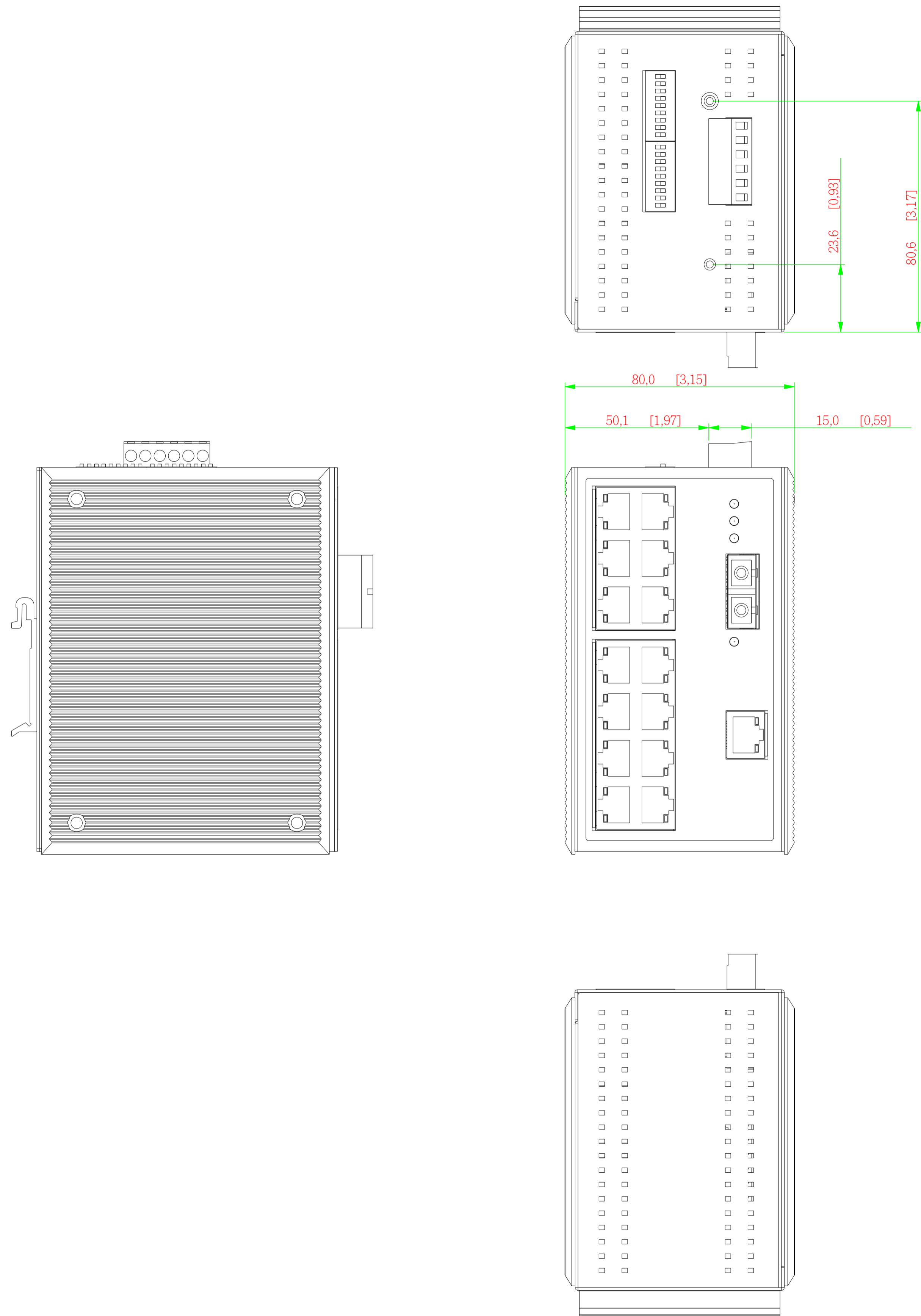
B

C

D

E

F



MOXA[®]

Tel:+886-2-89191230
 Fax:+886-2-89191231
 www.moxa.com

Designer

Porjection

Unit

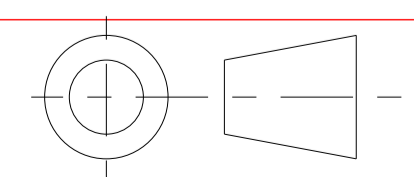
mm

Tolerance

Class 1

Product Model

Frame A1



3rd Angle

Scale

Material

Drawn Name

EDS-316

Date

File Name

EDS-316

Product No.

Ver.

1.0