

Rev. Mark	Description	Date

A

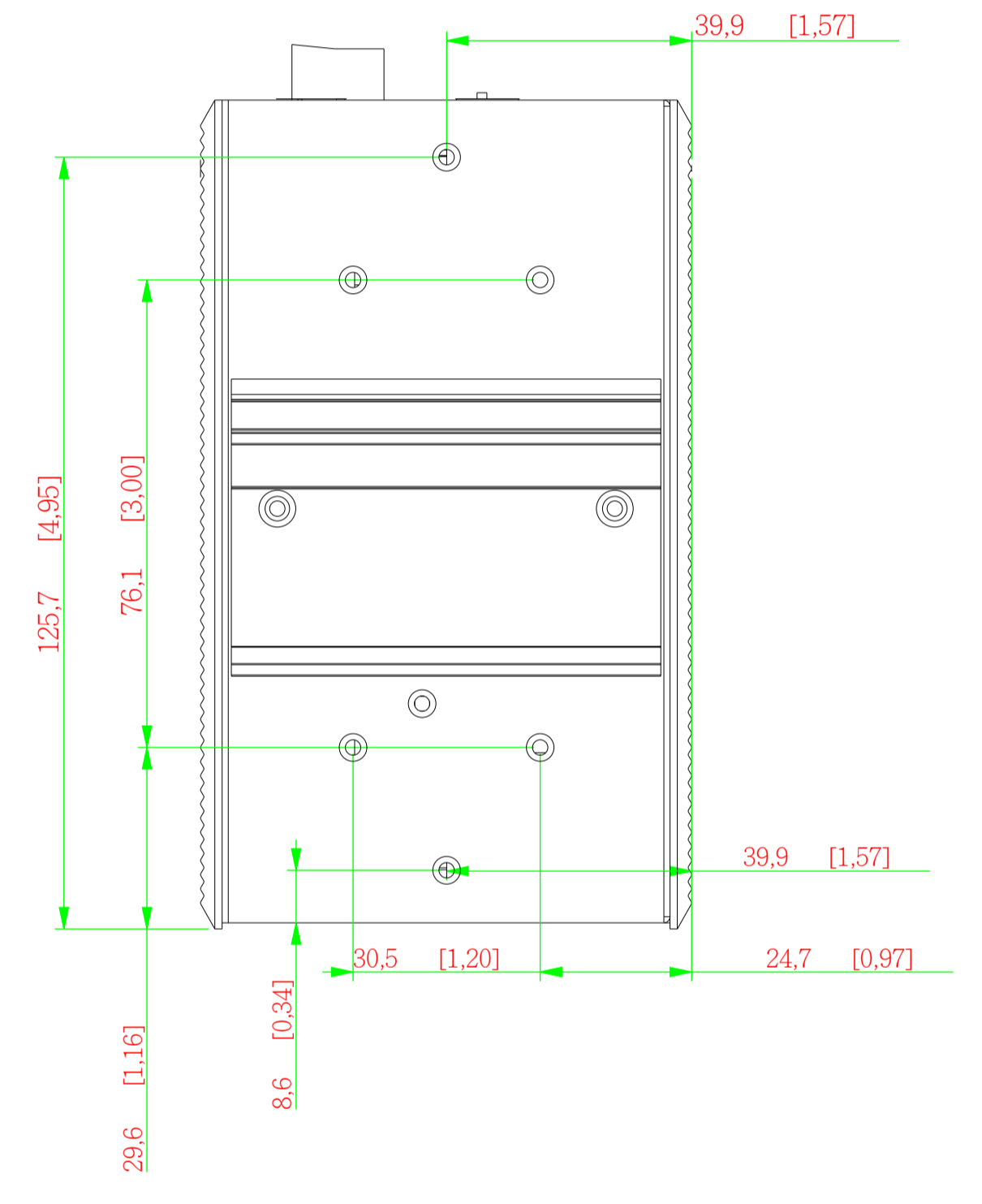
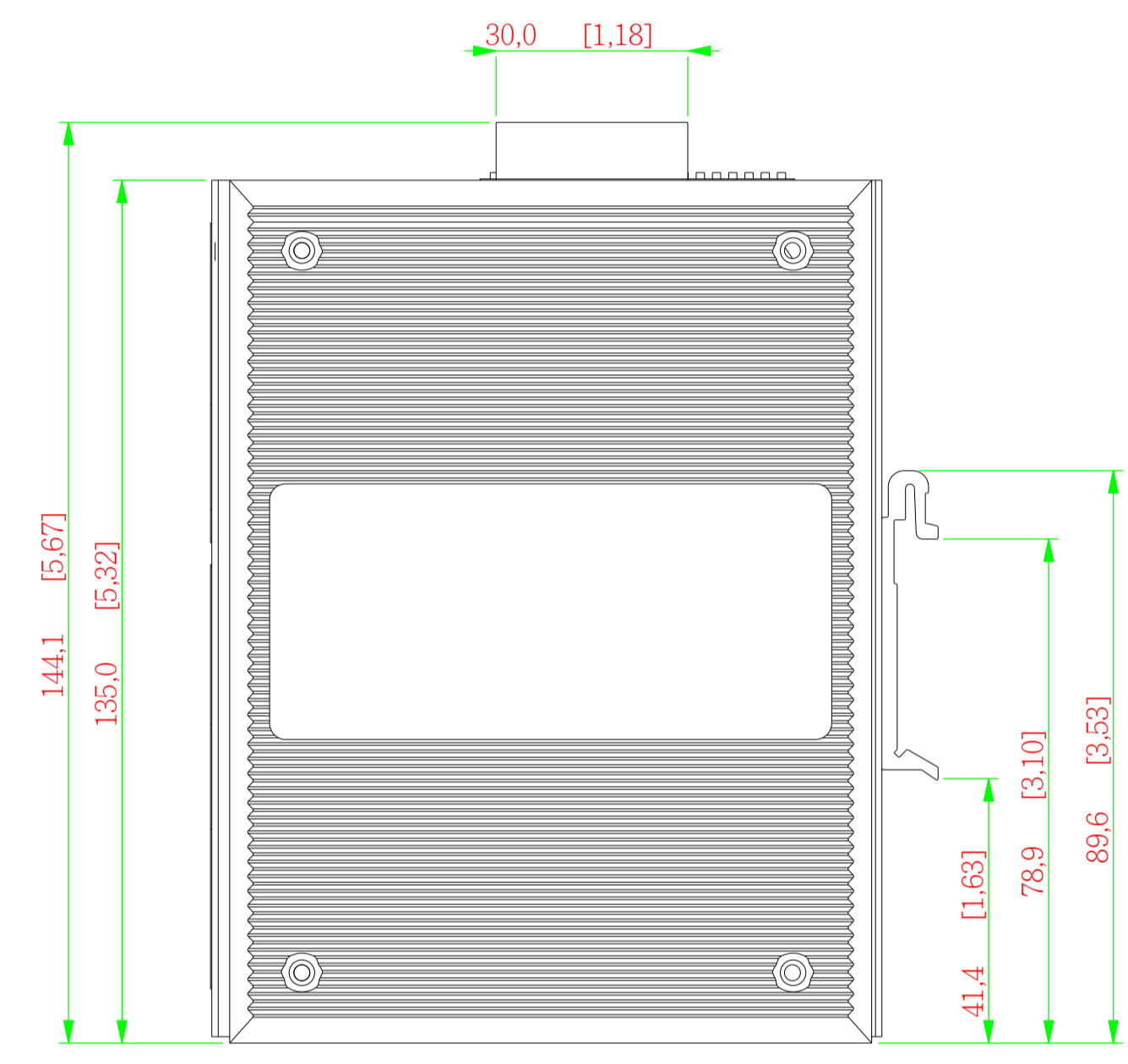
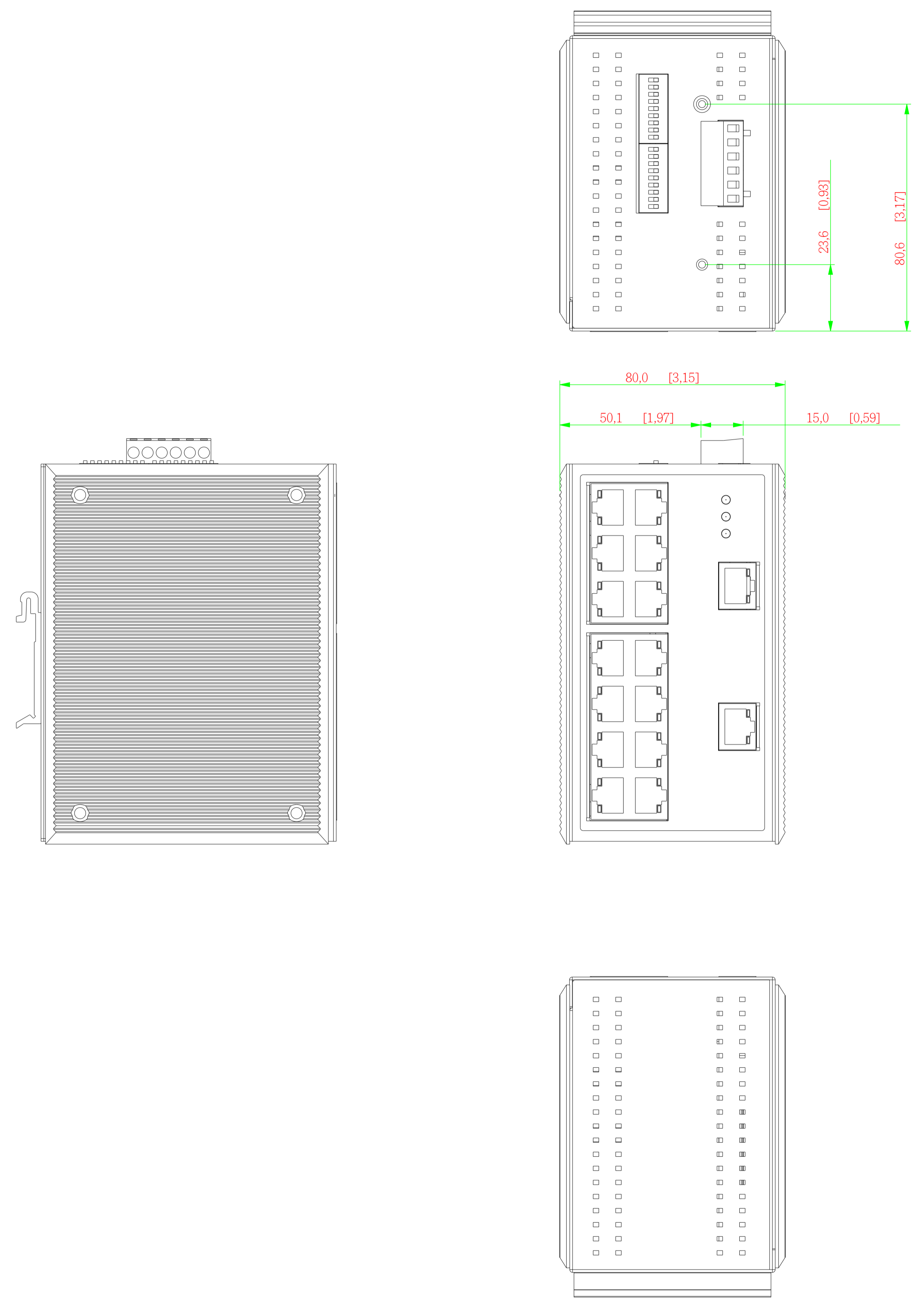
B

C

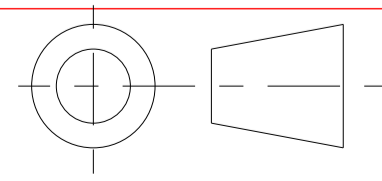
D

E

F



**MOXA**<sup>®</sup>  
 Tel:+886-2-89191230  
 Fax:+886-2-89191231  
 www.moxa.com

Designer	Porjection	Unit	mm	Tolerance	Class 1	Product Model	Frame	A1
		Scale		Material		Drawn Name	EDS-316	
	3rd Angle	Date		File Name	EDS-316	Product No.	Ver.	1.0