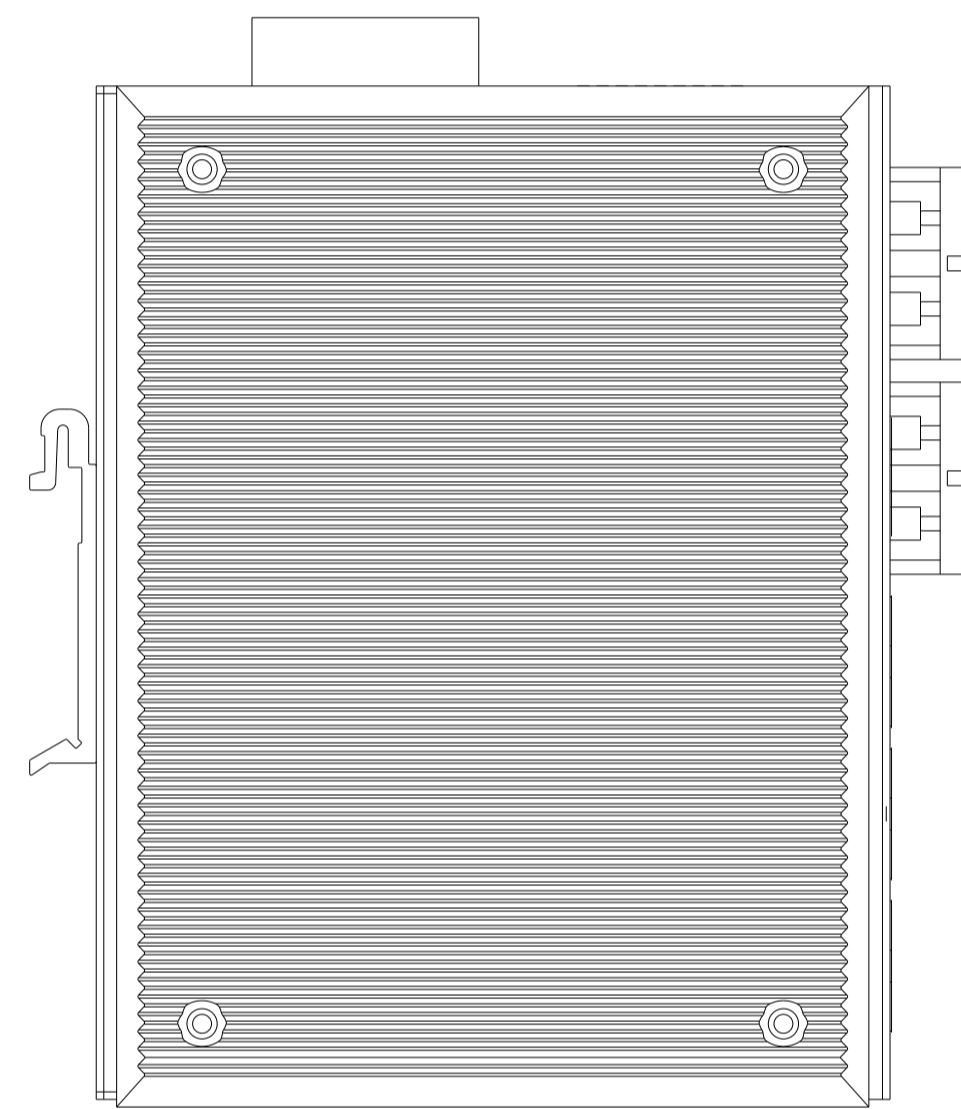
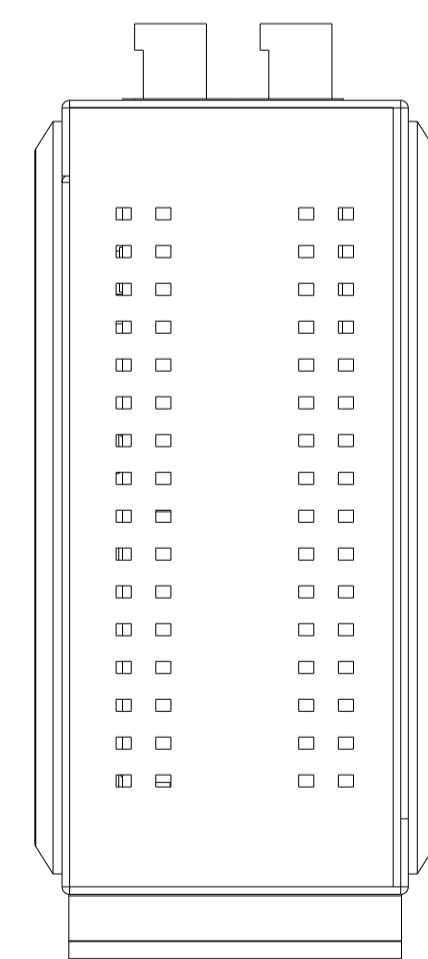
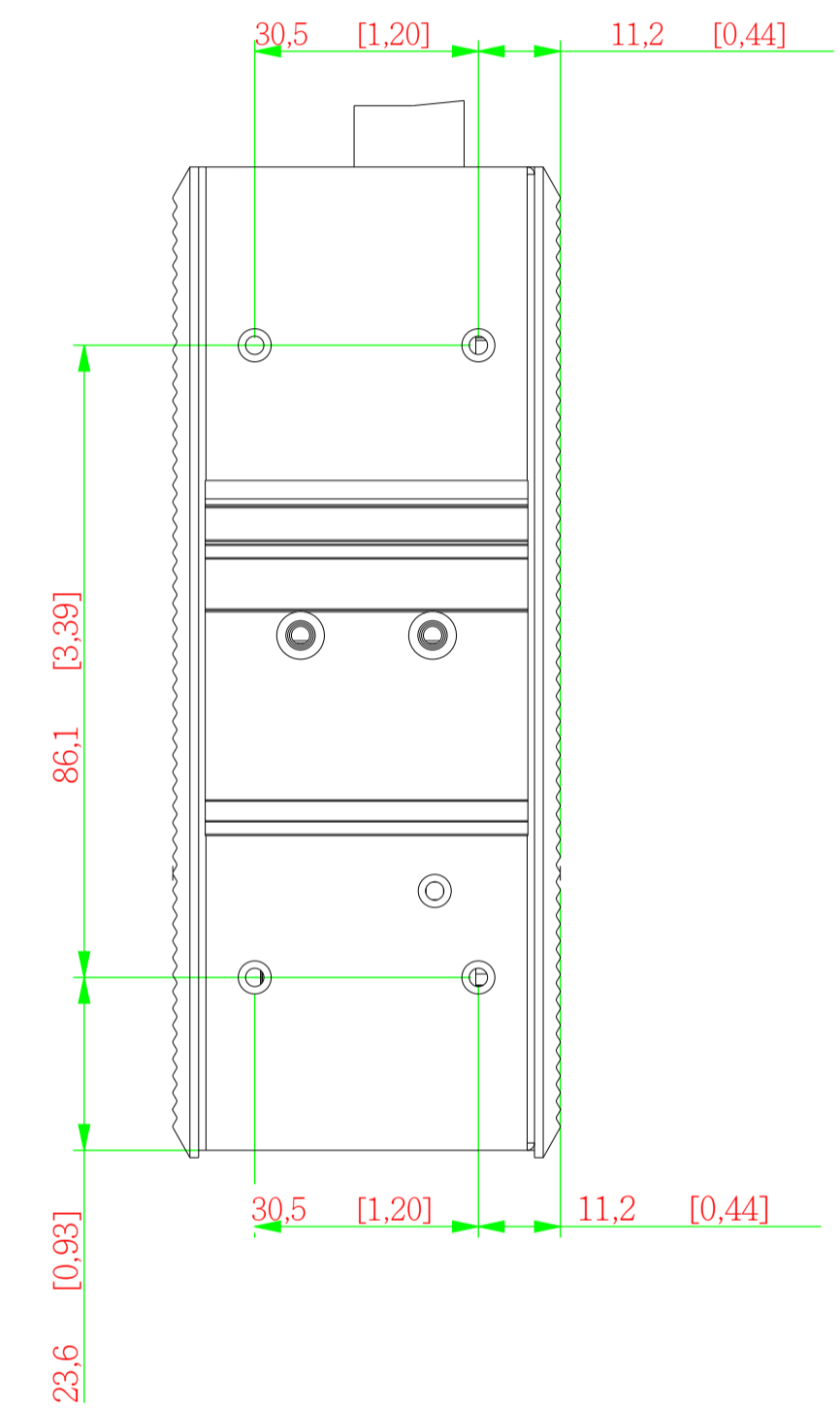
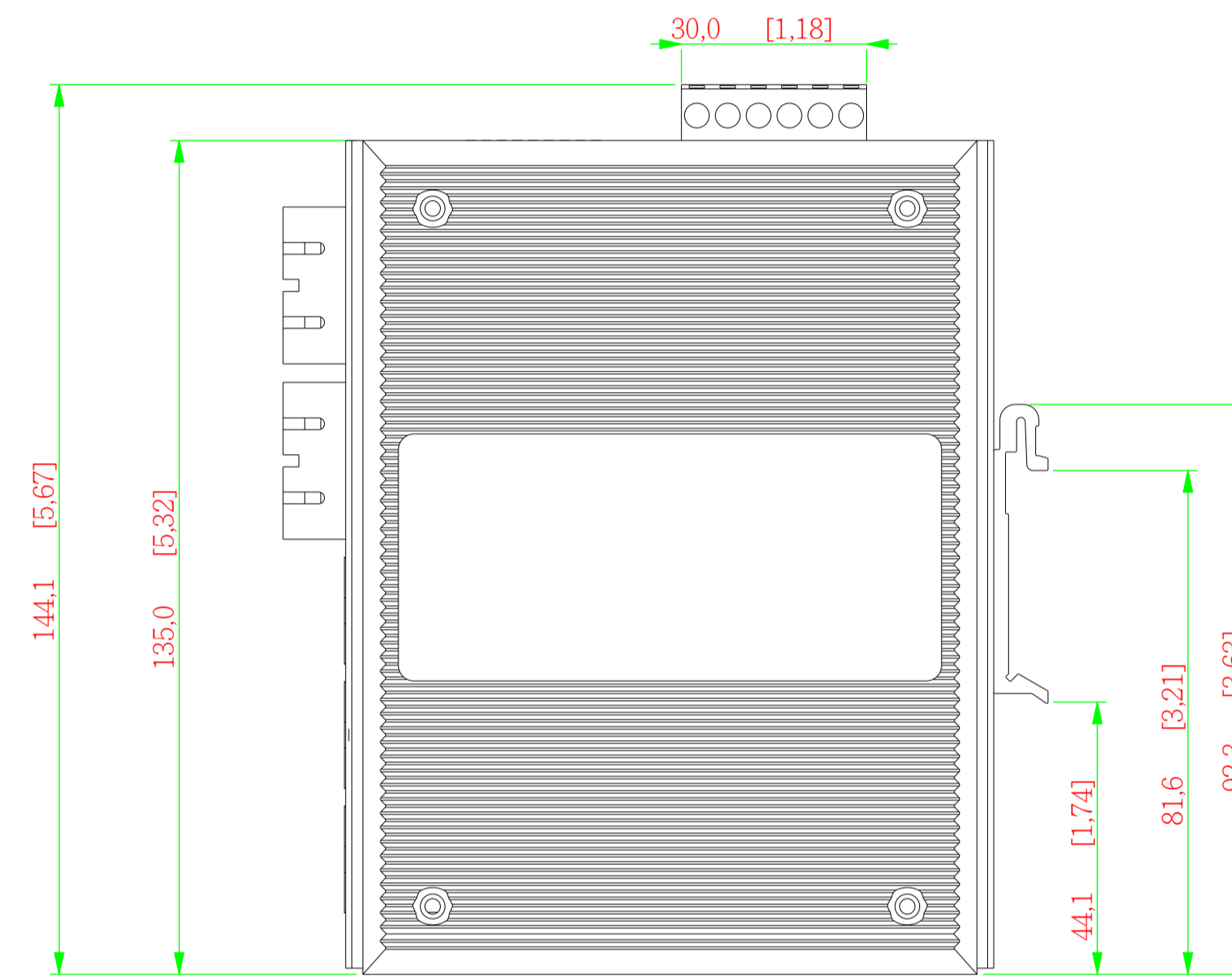
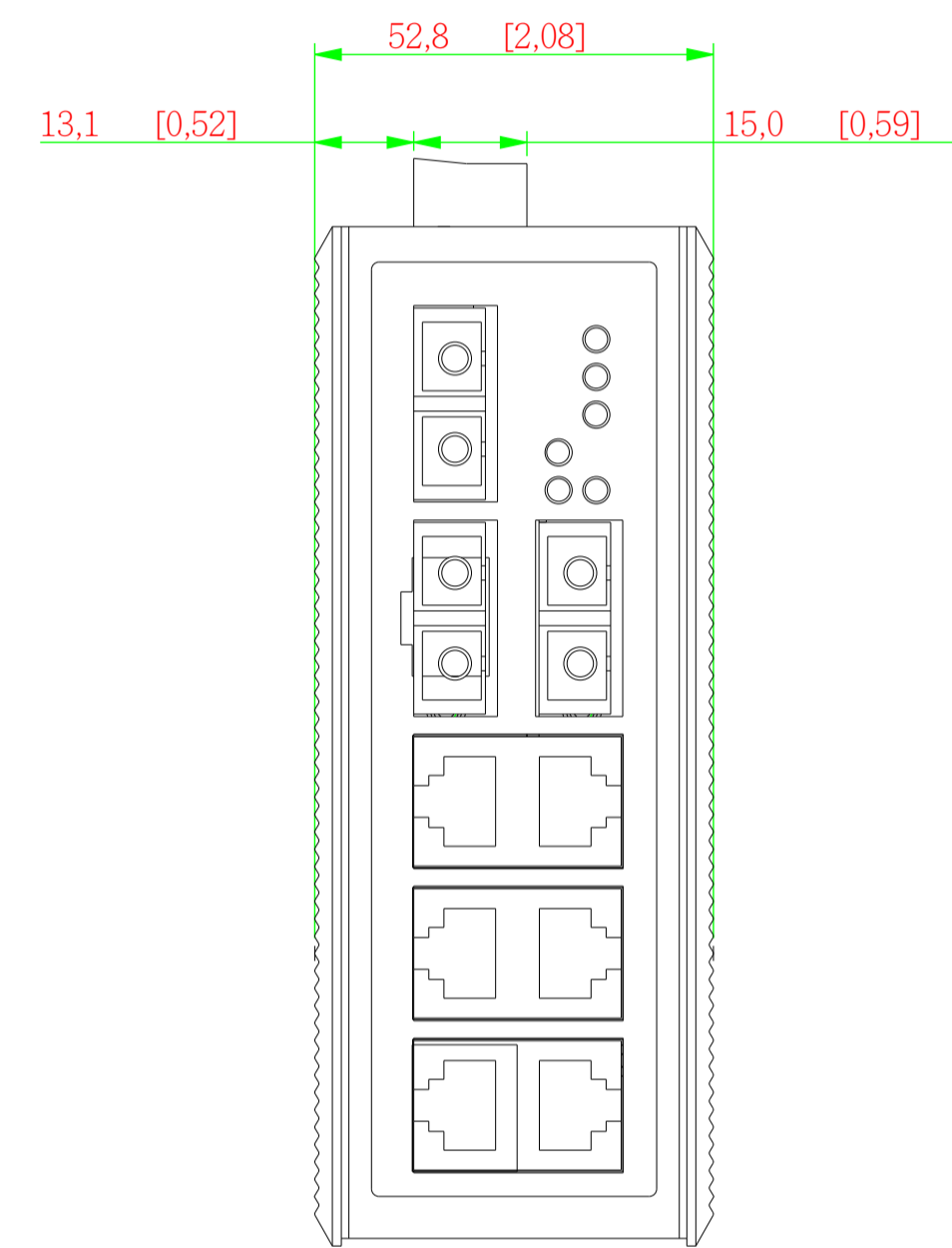
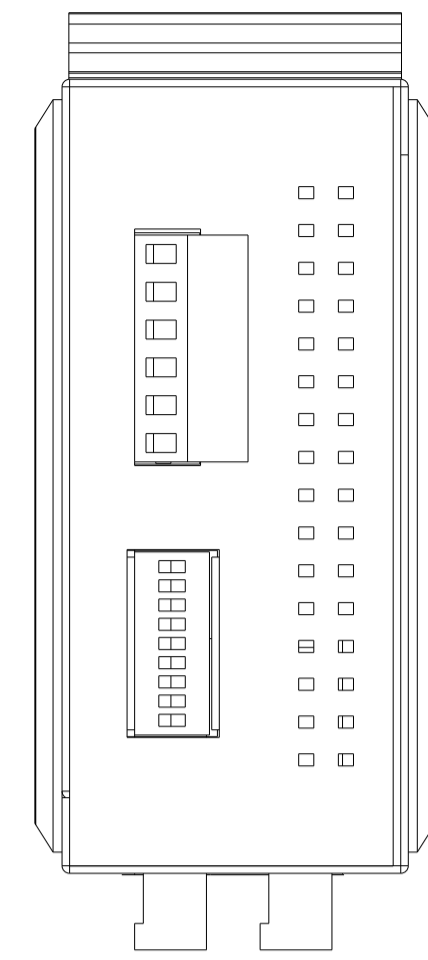


Rev. Mark	Description	Date



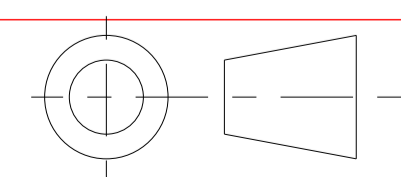
Specified Tolerance			
Length	Class 1	Class 2	Class 3
0.5~6	±0.05	±0.1	±0.15
6~30	±0.1	±0.2	±0.25
30~120	±0.2	±0.3	±0.35
120~315	±0.3	±0.5	±0.55
315~1000	±0.5	±0.7	±0.9

MOXA®

Tel:+886-2-89191230
 Fax:+886-2-89191231
 www.moxa.com

Designer

Porjection



3rd Angle

Unit

mm

Tolerance

Class 1

Product Model

XXXX-XX-XX

Frame A1

Scale

1 : X

Material

TBD

Drawn Name

EDS-309

Date

17-04-17

File Name

EDS-309

Product No.

000000000000

Ver. 1.0