

Rev. Mark	Description	Date

A

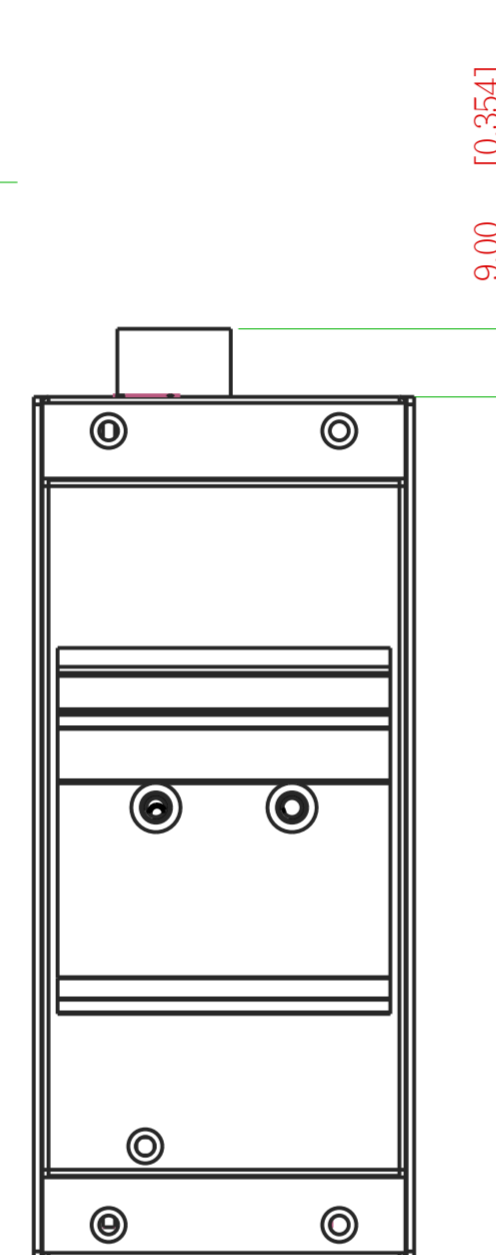
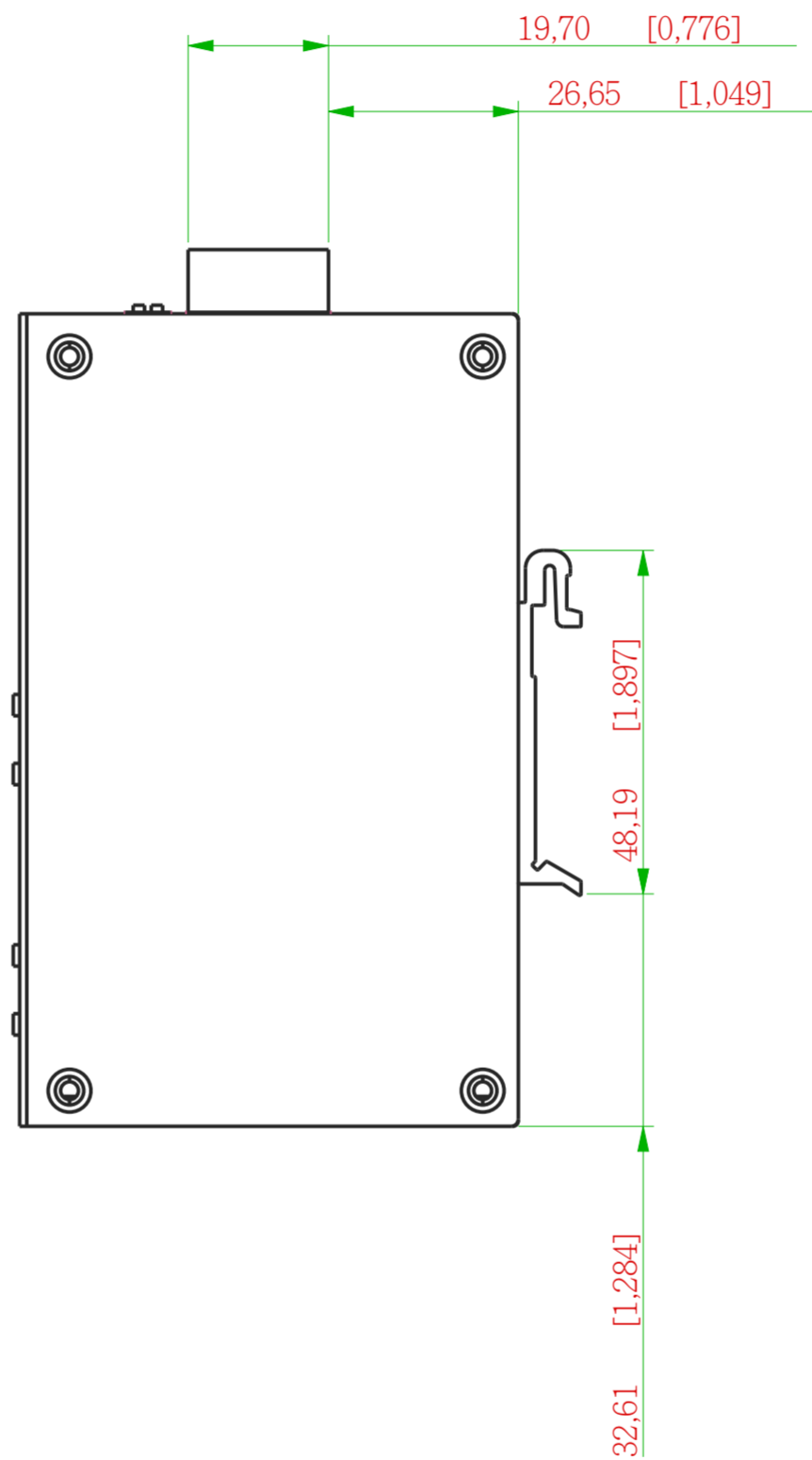
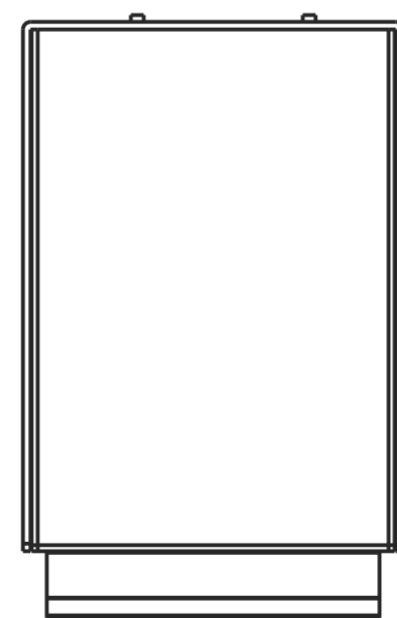
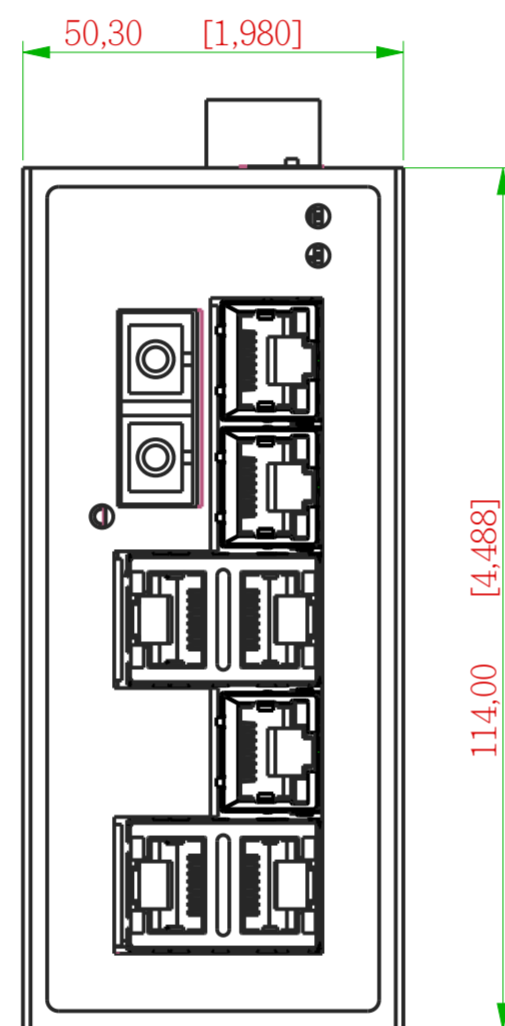
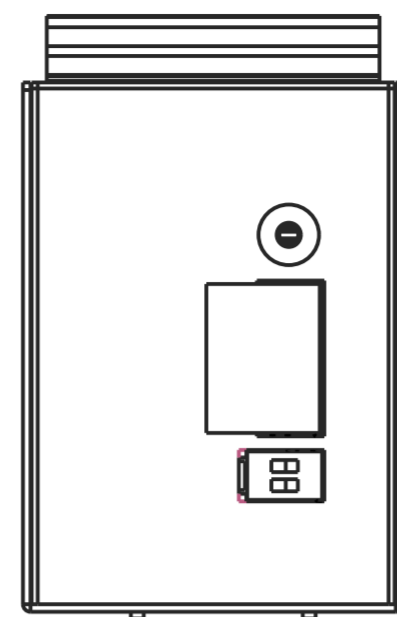
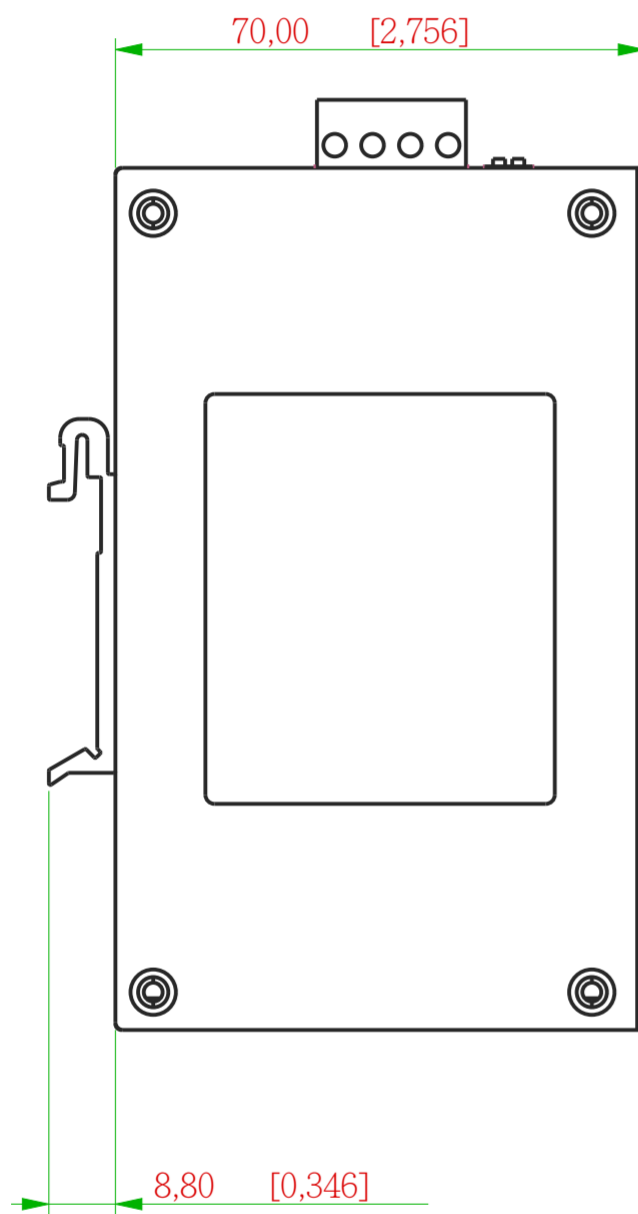
B

C

D

E

F



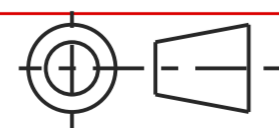
Specified Tolerance			
Length	Class 1	Class 2	Class 3
0.5~6	± 0.05	± 0.1	± 0.15
6~30	± 0.1	± 0.2	± 0.25
30~120	± 0.2	± 0.3	± 0.35
120~315	± 0.3	± 0.5	± 0.55
315~1000	± 0.5	± 0.7	± 0.9

MOXA

Tel:+886-2-89191230
Fax:+886-2-89191231
www.moxa.com

Designer

Porjection



3rd Angle

Unit

mm

Tolerance

Class 1

Product Model

Frame

A2

Scale

1 : X

Material

TBD

Drawn Name

EDS-208A-HIG

Date

16-11-16

File Name

EDS-208A

Product No.

000000000000

Ver.

1.0