

# **EDR-G9004 Series Quick Installation Guide**

---

**Moxa Industrial Secure Router**

**Version 1.0, May 2024**

**Technical Support Contact Information**  
**[www.moxa.com/support](http://www.moxa.com/support)**

**MOXA<sup>®</sup>**

© 2023 Moxa Inc. All rights reserved.

**P/N: 1802090040010**



## Package Checklist

The EDR-G9004 Series secure router is shipped with the items listed below. If any of these items are missing or damaged, please contact your customer service representative for assistance.

- 1 Industrial secure router
- 1 USB-C-to-DB9 cable
- Quick installation guide (printed)
- Warranty card

## Features

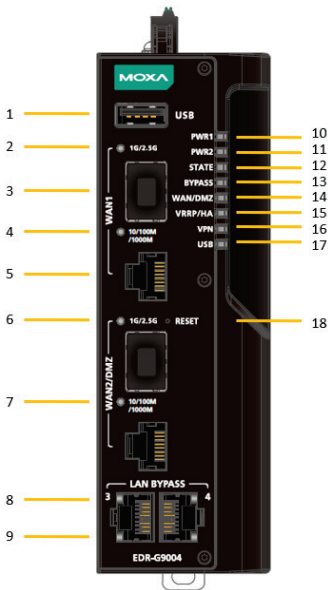
### Advanced Industrial Networking Capability

- 4-port Gigabit all-in-one firewall/NAT/VPN/router
- Gen3 LAN Bypass for system fault tolerance
- Dual WAN redundant interfaces through public networks
- Industrial-grade Intrusion Prevention/Detection System (IPS/IDS)
- Visualize OT security with the MXsecurity management software
- Secure remote access tunnel with VPN
- Examine industrial protocol data with Deep Packet Inspection (DPI)
- Easy network setup with Network Address Translation (NAT)
- Developed according to IEC 62443-4-2 with Secure Boot
- -40 to 75°C operating temperature range (-T models)

# Panel Views of EDR-G9004 Series

## EDR-G9004 Series

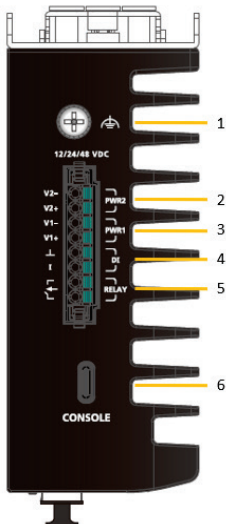
### Front Panel



### Front Panel:

1. USB port for ABC-02-USB
2. 1G/2.5G SFP port speed LED indicator
3. 1G/2.5G SFP ports
4. 10/100/1000 Mbps copper port speed LED indicator
5. 10/100/1000 Mbps copper ports
6. 1G/2.5G SFP port speed LED indicator
7. 10/100/1000 Mbps copper port speed LED indicator
8. 1000 Mbps copper port speed LED indicator
9. 10/100 Mbps copper port speed LED indicator
10. Power input PWR1 LED indicator
11. Power input PWR2 LED indicator
12. STATE LED indicator
13. BYPASS LED indicator
14. WAN/DMZ LED indicator
15. VRRP/HA LED indicator
16. VPN LED indicator
17. USB LED indicator
18. Reset button

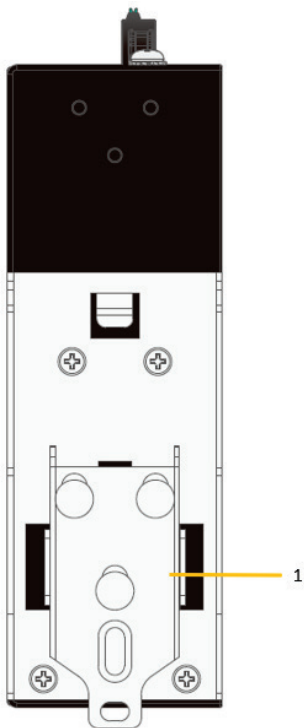
### Top Panel



### Top Panel:

1. Grounding screw
2. Terminal block with latch for Power 2 input
3. Terminal block with latch for Power 1 input
4. Terminal block with latch for digital input
5. Terminal block with latch for relay output
6. Type-C serial console port

## Rear Panel



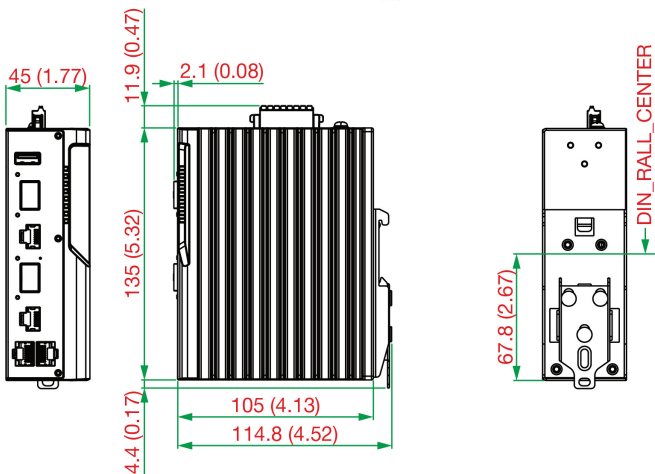
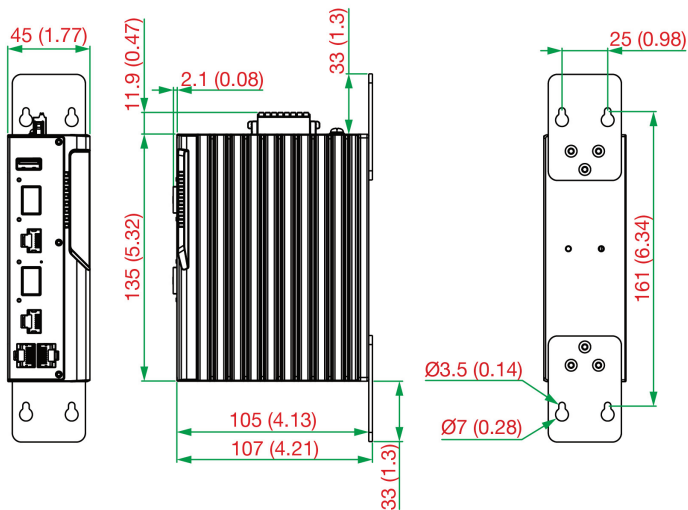
## Rear Panel:

1. DIN-rail mounting kit

## Mounting Dimensions

### EDR-G9004 Series

Unit: mm (inch)



## DIN-rail Mounting

In the package, the metal DIN-rail mounting kit is fixed to the back panel of the EDR-G9004 Series with four screws (M3 x 6 mm). Mount the EDR-G9004 Series on a corrosion-free mounting rail that adheres to the EN 60715 standard.

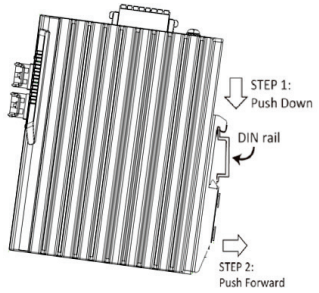
## **Suggested Installation Method**

### **STEP 1:**

Place the upper lip of the DIN-rail kit onto the mounting rail.

### **STEP 2:**

Press the EDR-G9004 Series towards the mounting rail until it snaps into place.



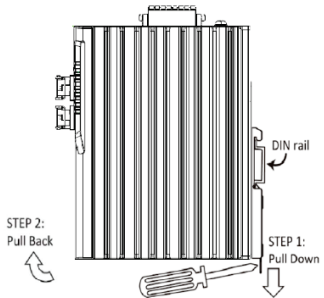
## **Suggested Removal Method**

### **STEP 1:**

Pull down the latch on the DIN-rail kit with a screwdriver.

### **STEPS 2 & 3:**

Slightly pull the EDR-G9004 Series forward and lift it up to remove it from the mounting rail.

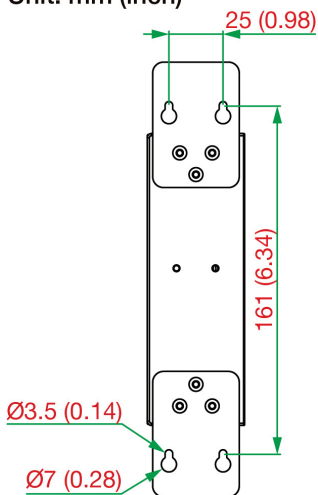


## **Wall Mounting**

For some applications, you will find it convenient to mount the EDR-G9004 Series on the wall, as shown in the following illustrations.

**STEP 1:** Remove the aluminum DIN-rail attachment plate from the rear panel of the EDR-G9004 Series, and then attach both the wall-mounting plates with six screws (M3 x 5 mm).

Unit: mm (inch)



**STEP 2:** Mounting the EDR-G9004 Series on the wall requires four screws. Use the EDR-G9004 Series with the wall mount plates attached as a guide to mark the correct location of the four screws. The head of the screws should be less than 7.0 mm in diameter, and the shaft should be less than 3.5 mm in diameter.

## Wiring Requirements



### WARNING

Do not disconnect modules or wires unless power has been switched off or the area is known to be non-hazardous. The devices may only be connected to the supply voltage shown on the type plate. The devices are designed for operation with a Safety Extra-Low Voltage. Thus, they may only be connected to the supply voltage connections and to the signal contact with the Safety Extra-Low Voltages (SELV) in compliance with IEC 60950-1/VDE 0805.



### ATTENTION

This unit is a built-in type. When the unit is installed in another piece of equipment, the equipment enclosing the unit must comply with fire enclosure regulation UL/IEC 62368-1 (or similar regulation).



## ATTENTION

### Safety First!

Be sure to disconnect the power cord before installing and/or wiring your EDR-G9004 Series.

Calculate the maximum possible current in each power wire and common wire. Observe all electrical codes dictating the maximum current allowable for each wire size.

If the current goes above the maximum ratings, the wiring could overheat, causing serious damage to your equipment.

Please read and follow these guidelines:

- Use separate paths to route wiring for power and devices. If power wiring and device wiring paths must cross, make sure the wires are perpendicular at the intersection point.  
**NOTE:** Do not run signal or communications wiring and power wiring through the same wire conduit. To avoid interference, wires with different signal characteristics should be routed separately.
- You can use the type of signal transmitted through a wire to determine which wires should be kept separate. The rule of thumb is that wiring sharing similar electrical characteristics can be bundled together.
- You should separate input wiring from output wiring.
- We advise that you label the wiring to all devices in the system.
- This product is intended for installation in Restricted Access Location.



## WARNING

Hot Surface. Do not touch.



## ATTENTION

The SFP module only supports Laser Class 1 optical transceivers.

## Grounding the EDR-G9004 Series

Grounding and wire routing help limit the effects of noise due to electromagnetic interference (EMI). Run the ground connection from the ground screw (M4 type) to the grounding surface prior to connecting devices.



## ATTENTION

This product is intended to be mounted to a well-grounded mounting surface such as a metal panel. Use the green-and-yellow cable type AWG (American Wire Gauge) min.18 (0.75 mm<sup>2</sup>) for grounding.



## Wiring the Redundant Power Inputs

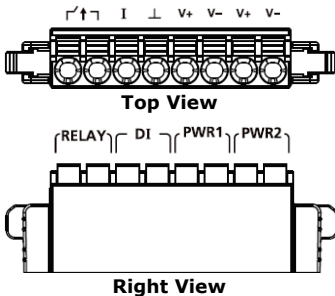
The EDR-G9004 Series has two sets of power inputs—power input 1 and power input 2. The top and side views of the terminal block connector are shown below.

The input terminal block (TB1) should be installed using 16-24 AWG wires. The wiring for the input terminal block must be installed by a skilled person. Wire Type: Cu

The power cord adapter should be connected to a socket outlet with an earthing connection. The power cord and adapter must comply with Class I construction.

### Instructions

This product is intended to be supplied by a UL Listed Power Adapter or DC power source marked 'L.P.S' or 'Limited Power Source', rated 12 to 48 VDC, 1.01 A (min.), and Tma 75°C (min.). If you require further assistance, please contact your Moxa representative.



#### STEP 1:

Use a small flat-blade screwdriver to press a wire locker.

#### STEP 2:

Insert a positive/negative DC wire into the V+/V- terminals respectively.

#### STEP 3:

Release the wire locker and check whether the wire is fixed.

## Communication Connections

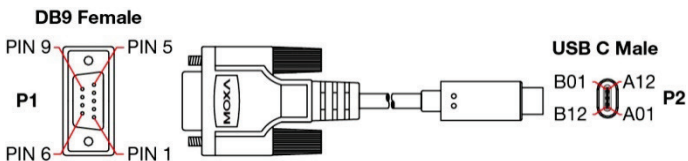
Each EDR-G9004 Series has three types of communication ports:

- 1 Type-C console port (RS-232 interface, baud rate: 115200, 8-N-1)
- 2 10/100/1000BaseT(X) Ethernet ports
- 2 10/100/1000BaseT(X) or 1000/2500BaseSFP combo ports

### TYPE-C Console Port Connection

The EDR-G9004 Series provides one Type-C console port located on the top panel. Connect the industrial secure router to a PC COM port using the Type-C-to-DB9 connection cable, and then launch a console terminal software, e.g. Moxa PComm Terminal Emulator, to access the EDR-G9004 Series' console configuration utility.

#### TYPE-C-to-DB9 Cable Wiring



<b>P1</b>		<b>P2</b>
2		A5 BROWN B5 GREEN
3		A6 RED B6 BLUE
5		A7 ORANGE B7 PURPLE

### **PIN Definition**

<b>Description</b>	<b>P1</b>	<b>P2</b>
TXD	2	A5, B5
RXD	3	A6, B6
GND	5	A7, B7

## **10/100/1000BaseT(X) Ethernet Port Connection**

The 10/100/1000BaseT(X) ports located on the EDR-G9004 Series front panel are used to connect to Ethernet-enabled devices. Most users will choose to configure these ports for Auto MDI/MDI-X mode, in which case the port's pinouts are adjusted automatically depending on the type of Ethernet cable used (straight-through or cross-over) and the type of device (NIC-type or HUB/Switch-type) connected to the port. Below are the pinouts for both MDI (NIC-type) ports and MDI-X (HUB/Switch-type) ports.

### **10/100Base T(x) RJ45 Pinouts**

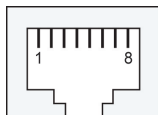
#### **MDI Port Pinouts**

<b>Pin</b>	<b>Signal</b>
1	Tx+
2	Tx-
3	Rx+
6	Rx-

#### **MDI-X Port Pinouts**

<b>Pin</b>	<b>Signal</b>
1	Rx+
2	Rx-
3	Tx+
6	Tx-

#### **8-pin RJ45**



### **10/100/1000Base T(x) RJ45 Pinouts**

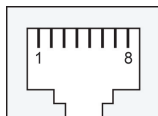
#### **MDI Port Pinouts**

<b>Pin</b>	<b>Signal</b>
1	BI_DA+
2	BI_DA-
3	BI_DB+
4	BI_DC+
5	BI_DC-
6	BI_DB-
7	BI_DD+
8	BI_DD-

#### **MDI-X Port Pinouts**

<b>Pin</b>	<b>Signal</b>
1	BI_DB+
2	BI_DB-
3	BI_DA+
4	BI_DD+
5	BI_DD-
6	BI_DA-
7	BI_DC+
8	BI_DC-

#### **8-pin RJ45**



## **The Reset Button**

Using a pointed object such as a straightened paperclip or toothpick, depress the Reset button for five seconds to load the factory default settings. When pressing down, the STATE LED will start to blink about once per second. Continue to depress until the STATE LED begins blinking more quickly, indicating that the device is resetting and you can release.

**NOTE** DO NOT power off the device when loading default settings.

## LED Indicators

The front panel of the EDR-G9004 Series has several LED indicators. The function of each LED is described in the following table:

LED	Color	State	Description
<b>PWR1</b>	Amber	On	Power is being supplied to power input P1 on the main module.
		Off	Power is <b>NOT</b> being supplied to power input P1 on the main module.
<b>PWR2</b>	Amber	On	Power is being supplied to power input P2 on the main module.
		Off	Power is <b>NOT</b> being supplied to power input P2 on the main module.
<b>STATE</b>	Green	On	The system passed the self-diagnosis test on boot-up and is ready to run.
		Blinking	Device reset is in progress, blinking once per second.
	Red	On	The system failed the self-diagnosis test on boot-up.
<b>BYPASS</b>	Amber	On	The bypass redundancy function is enabled.
		Off	The bypass redundancy function is disabled.
<b>WAN/DMZ</b>	Amber	On	The WAN2/DMZ port is set to WAN mode.
	Green	On	The WAN2/DMZ port is set to DMZ mode.
		Off	The WAN2/DMZ port is disabled.
<b>VRRP/HA</b>	Green	On	The EDR-G9004 is set as the Master of the VRRP or HA.
		Off	The EDR-G9004 is not set as the Master of the VRRP or HA.
<b>VPN</b>	Green	On	All VPN tunnels are working normally.
	Amber	On	Only parts of the VPN tunnels are working normally.
		Off	No active VPN connections.
<b>USB</b>	Green	On	USB drive successfully connected.
		Blinking	USB data is being transmitted.
	Red	On	USB dongle malfunction.
<b>1G/2.5G</b>	Green	On	2.5G SFP link is up.
	Amber	On	1G SFP link is up.
		Off	No link or the SFP link is down.
<b>10/100/1000 Mbps</b>	Green	On	1000 Mbps copper link is up.
	Amber	On	10/100 Mbps copper link is up.
		Off	No link or the copper link is down.

## Specifications

Input Current	1.01 A @ 12 V 0.51 A @ 24 V 0.27 A @ 48 V
---------------	---

Input Voltage	12 to 48 VDC, dual power input
Power Consumption	12.96 W (max.)
Operating Temperature	Standard models: -10 to 60°C (14 to 140°F) Wide-temp. models: -40 to 75°C (-40 to 167°F)
Storage Temperature	-40 to 85°C (-40 to 185°F)



## WARNING

사 용 자 안 내 문

이 기기는 업무용 환경에서 사용할 목적으로 적합성 평가를 받은 기기로서

가정용 환경에서 사용하는 경우 전파간섭의 우려가 있습니다.