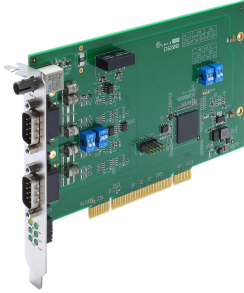


# DA-IRIG-B-S Series Expansion Modules

Expansion modules with 2-port and 4-port time-synchronization ports



## Features and Benefits

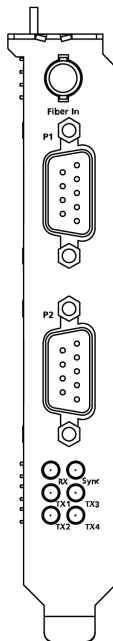
- 2-port IRIG-B time-synchronization module
- 4-port IRIG-B time-synchronization module

## Introduction

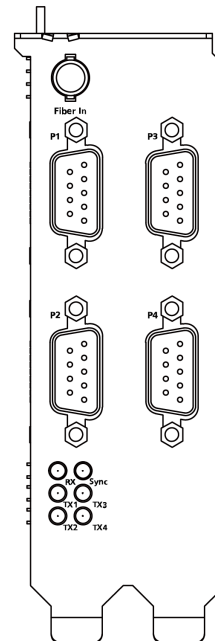
The DA-IRIG-B-S module features 3 digital inputs and 4 digital outputs and provides precision timing information using IRIG-B input signals. The module is designed for embedded computers that support the PCI/104 interface.

## Appearance

DA-IRIG-B-S-02-T



DA-IRIG-B-S-04-T



## Specifications

### IRIG-B Interface

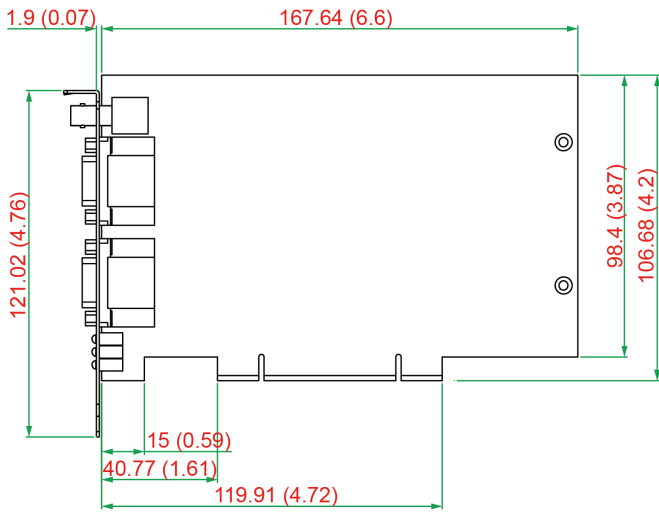
Interface	DA-IRIG-B-S-02-T: 2 x DB9 male and 1x ST Fiber port DA-IRIG-B-S-04-T: 4 x DB9 male and 1x ST Fiber port
Input Signal	Single or Differential

Input Signal Level	Single: High -> Open, Low -> Short to GND Differential: D+ - D- > 0.2 V, RxD is High, D+ - D- < -0.2 V, RxD is Low
Accuracy (Time Synchronization)	±1 µs
Accuracy (Free Running)	±500 ms @ 24 hr
<b>Hardware Requirements</b>	
Bus	PCI slots x 1
<b>Physical Characteristics</b>	
Dimensions (without ears)	167.64 x 106.68 mm (6.6 x 4.2 in)
Weight	DA-IRIG-B-S-02-T: 120 g (0.26 lb) DA-IRIG-B-S-04-T: 170 g (0.37 lb)
<b>Environmental Limits</b>	
Operating Temperature	-40 to 75°C (-40 to 167°F)
Storage Temperature (package included)	-40 to 85°C (-40 to 185°F)
Ambient Relative Humidity	5 to 95% (non-condensing)
<b>Declaration</b>	
Green Product	RoHS, CRoHS, WEEE
<b>MTBF</b>	
Time	DA-IRIG-B-S-02-T: 1,210,356 hrs DA-IRIG-B-S-04-T: 855,470 hrs
Standards	Telcordia (Bellcore), GB
<b>Warranty</b>	
Warranty Period	3 years
Details	See <a href="http://www.moxa.com/warranty">www.moxa.com/warranty</a>
<b>Package Contents</b>	
Device	1 x DA-IRIG-B-S Series expansion module
Documentation	1 x warranty card

## Dimensions

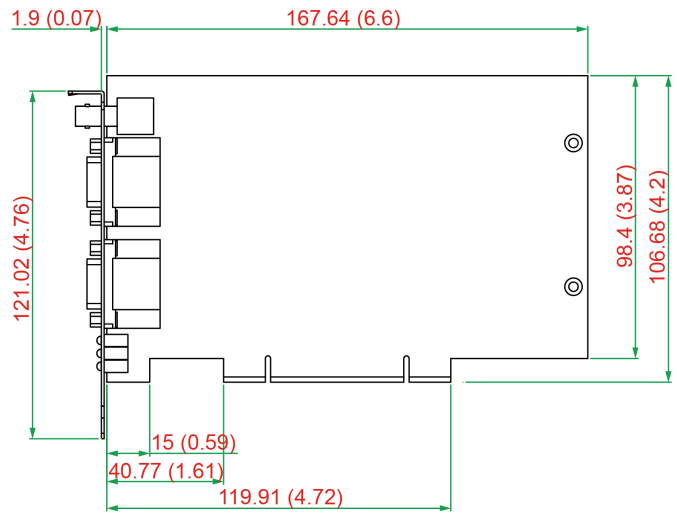
### DA-IRIG-B-S-02-T

Unit: mm (inch)



### DA-IRIG-B-S-04-T

Unit: mm (inch)



## Ordering Information

Model Name	ST Fiber (in)	DB9 Male (in)	DB9 Male (out)
DA-IRIG-B-S-02-T	1	1	1
DA-IRIG-B-S-04-T	1	1	3

© Moxa Inc. All rights reserved. Updated Nov 12, 2018.

This document and any portion thereof may not be reproduced or used in any manner whatsoever without the express written permission of Moxa Inc. Product specifications subject to change without notice. Visit our website for the most up-to-date product information.